

FH

BAH

TA.CP

TA

MOX

HT

VH

TSI/TSX

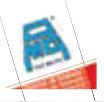
T

MT-TC-TC3

Accessori  
Accessories

Appendice tecnica  
Technical supplement

# TAF Gallery



# TAF10.P



caratteristiche/features



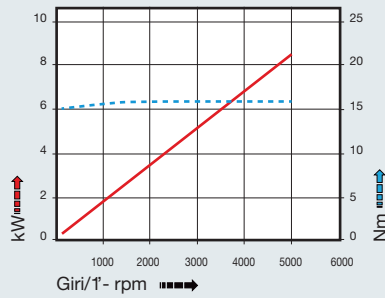
peso/weight



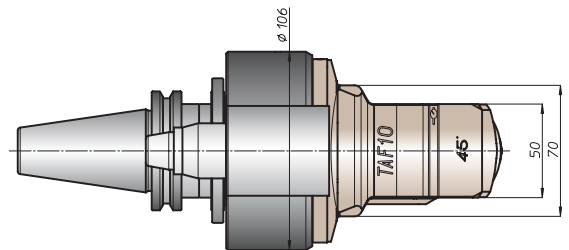
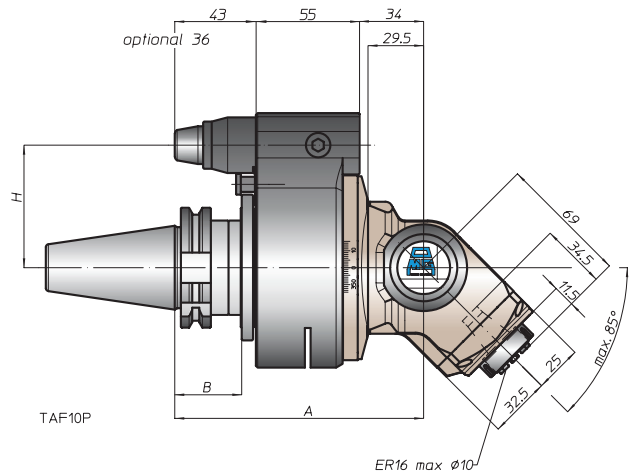
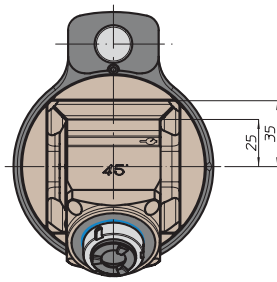
rotazione/rotation



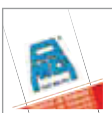
prestazioni/performance



CONO SHANK	size	A	B	H	
				standard	optional
* DING9871	30	132	35	65	-
	40			80	110
	45			80	110
	50			80	110
* ANSIB5.50 CAT	40	132	35	65	-
	50			80	110
* BT	40	140	45	65	-
	50			80	110
DING9893 HSK	63	141	44	65	-
	80			80	110
	100			80	110
ISO26623 CAPTO	C5	136	39	65	-
	C6			80	110
	C8			80	110
KM	63	132	35	65	-
	80			80	110
	100			80	110
DIN2080	-	-	-	-	-
	-			-	-
	-			-	-
ANSIB5.18 NMTB	-	-	-	-	-
	-			-	-



\* Option: Dual Contact



testa ad angolo - angle head

# TAF13.P



caratteristiche/features



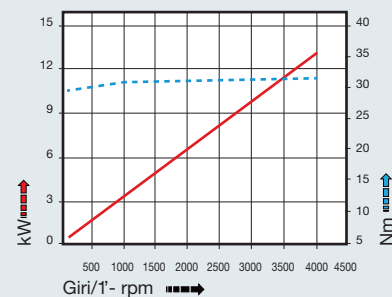
peso/weight



rotazione/rotation

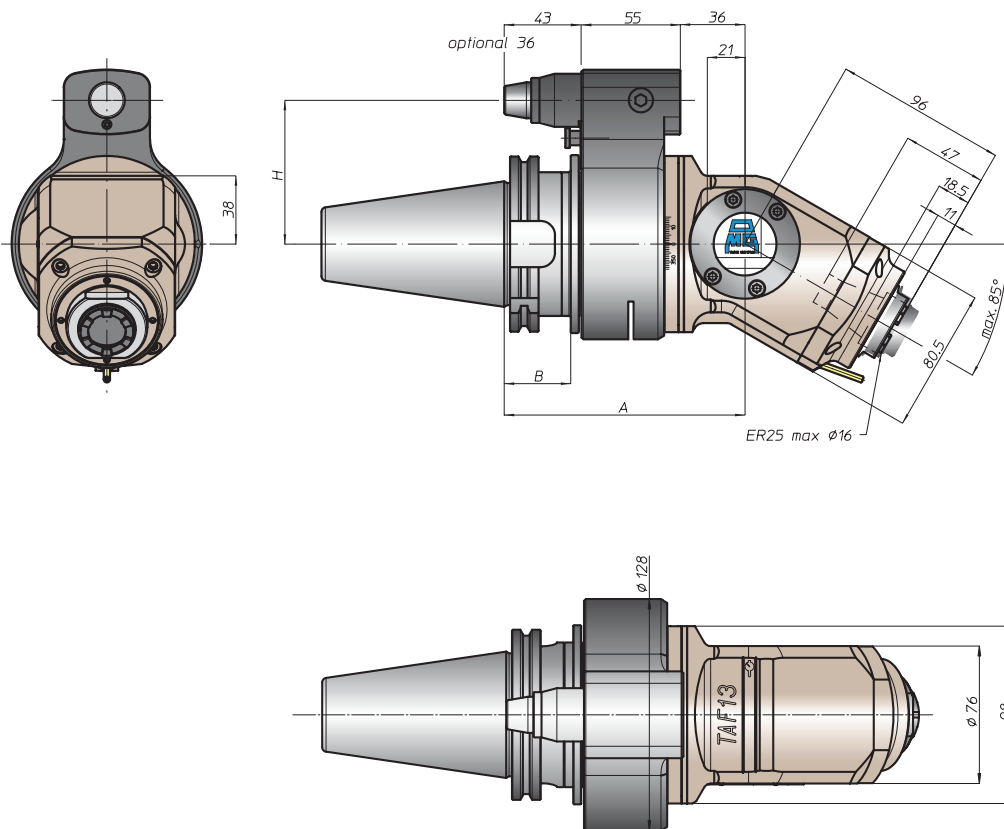


prestazioni/performance



tipi mandrino disponibili / available spindle types

4 DIN69893-HSK  
HSK32



CONO SHANK	size	H			
		A	B	standard	optional
* DIN69871	-			65	-
	40	134	35	80	110
	45			80	110
50	80			110	
* ANSIB5.50 CAT	40			65	-
	50			80	110
* BT	40			65	
	50	142	45	80	110
HSK DIN69893	63		44	65	
	80	143		80	110
	100		46	80	110
CAPTO ISO 26623	C5			65	
	C6	138	39		
	C8			80	110
KM	63			65	
	80	134		80	110
	100			80	110
DIN2080	-			-	-
	-			-	-
	-			-	-
ANSIB5.18 NMTB	-			-	-
	-			-	-

\* Option: Dual Contact

FH  
BAH  
TA.CP  
TA  
MOX  
HT  
VH  
TSI/TSX  
T  
MT-TC-TC3  
Accessori  
Accessories  
Appendice tecnica  
Technical supplement



# TAF13.PD



caratteristiche/features

$\varnothing$  13    M10    900 N  
 1-1    4000    70 bar

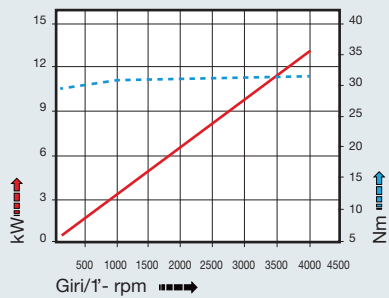
peso/weight

40    50  
 6,5 kg    8,5 kg

rotazione/rotation

IN    OUT  
 input    output

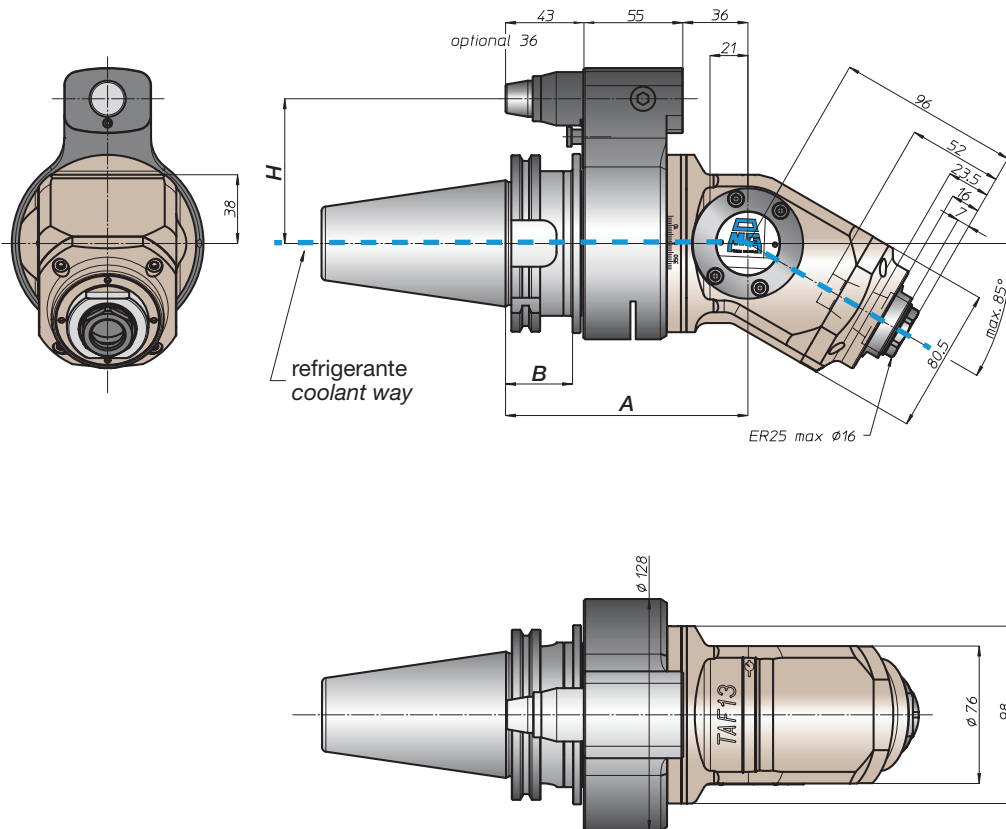
prestazioni/performance



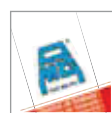
CONO SHANK	size	A	B	H	
				standard	optional
* DIN69871 * 	-	134	35	65	-
	40			80	110
	45			80	110
* ANSIB5.50 * CAT 	40	134	35	65	-
	50			80	110
* BT 	40	142	45	65	-
	50			80	110
HSK DIN69893 	63	143	44	65	-
	80			80	110
	100			80	110
CAPTO ISO26623 	C5	138	39	65	-
	C6			80	110
	C8			80	110
KM 	63	134	39	65	-
	80			80	110
	100			80	110
DIN2080 	-	138	39	-	-
	-			-	-
	-			-	-
NMTB ANSIB5.18 	-	138	39	-	-
	-			-	-

tipi mandrino disponibili / available spindle types

4 DIN69893-HSK  
**HSK32**



\* Option: Dual Contact



FH  
 BAH  
 TA.CP  
 TA  
 MOX  
 HT  
 VH  
 TSI/TSX  
 T  
 MT-TC-TC3  
 Accessori  
 Accessories  
 Appendice tecnica  
 Technical supplement

# TAF20.P



caratteristiche/features

$\varnothing 20$    
 M16   
 1610 N  
 1-1   
 3000

peso/weight



13,5 kg

rotazione/rotation

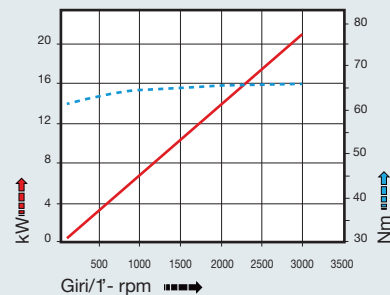


input



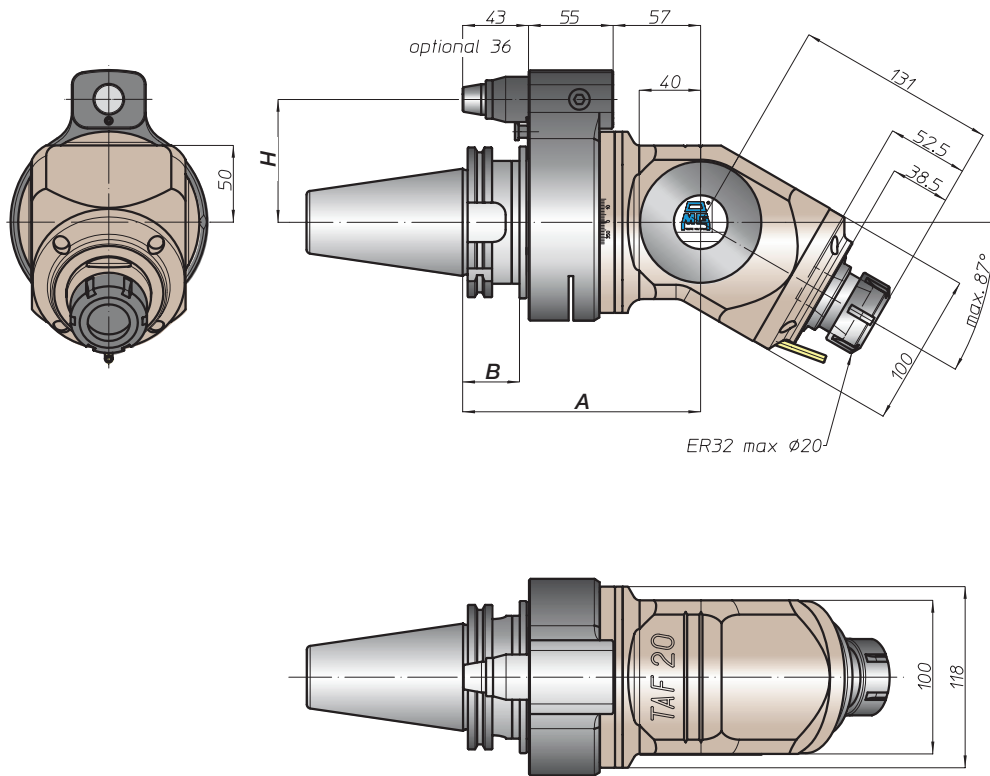
output

prestazioni/performance



tipi mandrino disponibili / available spindle types

- 1** DIN6499-ER  
**ER40**
- 2** Albero portafresa  
Milling shaft  
**Ø32**
- 3** Weldon  
Whistle-Notch  
**Ø20**
- 4** DIN69893-HSK  
**HSK50**
- 6** ABS  
Licenza KOMET®  
**ABS50**



CONO SHANK	size	H			
		A	B	standard	optional
DIN69871 *	-	-	-	-	-
DIN69871 *	45	-	-	80	110
DIN69871 *	50	155	35	80	110
ANSIB5.50 *	-	-	-	-	-
ANSIB5.50 *	50	-	-	80	110
BT *	-	-	-	-	-
BT *	50	163	45	80	110
HSK	-	-	42	-	-
DIN69893	80	164	-	80	110
DIN69893	100	-	46	80	110
CAPTO	-	-	-	-	-
ISO26623	C6	159	-	80	110
ISO26623	C8	-	-	-	-
KM	-	-	-	-	-
KM	80	155	-	80	110
KM	100	-	-	-	-
DIN2080	-	-	-	-	-
DIN2080	-	-	-	-	-
DIN2080	-	-	-	-	-
NMTB	-	-	-	-	-
ANSIB5.18	-	-	-	-	-
ANSIB5.18	-	-	-	-	-

\* Option: Dual Contact



# TAF20.PD

caratteristiche/features



peso/weight



13,5 kg

rotazione/rotation

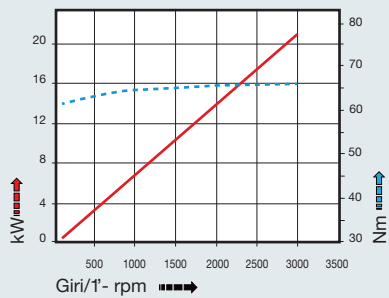


input



output

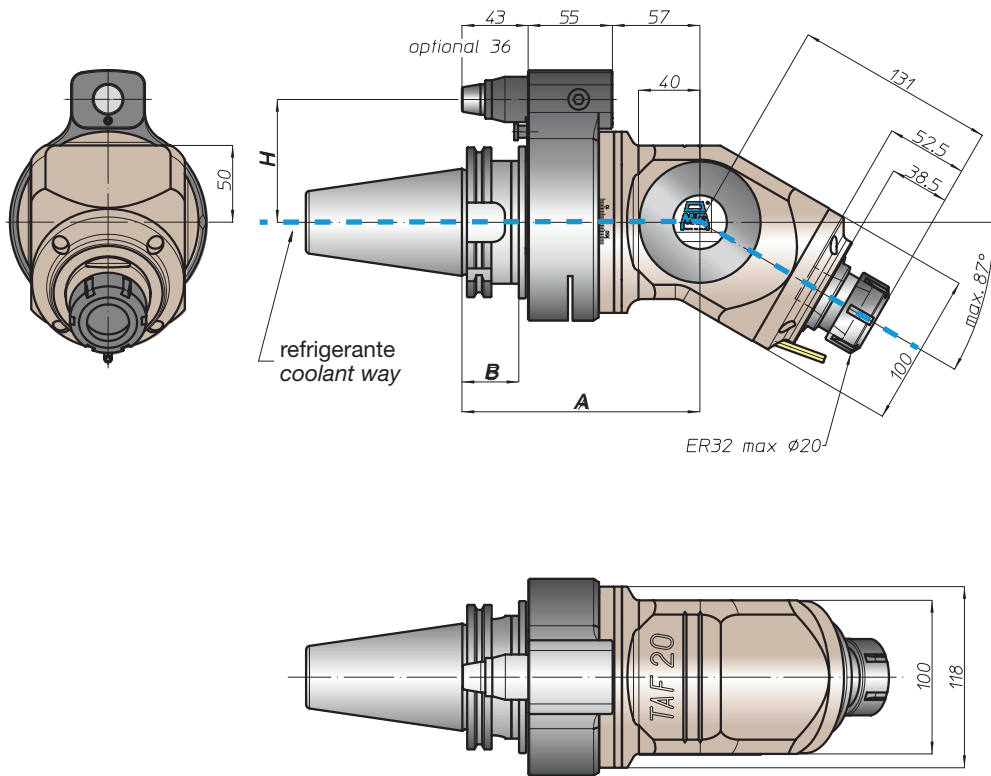
prestazioni/performances



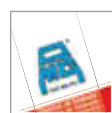
CONO SHANK	size	A	B	H	
				standard	optional
 DIN69871 *	-	155	35	-	-
	45			80	110
	50			80	110
 ANSIB5.50 * CAT	-	155	35	-	-
	50			80	110
 * BT	-	163	45	80	110
	50			80	110
 HSK	-	164	42	-	-
	80		46	80	110
	100		46	80	110
 CAPTO	-	159	-	-	-
	C6		80	110	
 KM	-	155	-	-	-
	80		80	110	
 DIN2080	-	155	-	-	-
	80		80	110	
 NMTB	-	155	-	-	-
	80		80	110	

tipi mandrino disponibili / available spindle types

- 1** DIN6499-ER  
ER40
- 3** Weldon Whistle-Notch  
Ø20
- 4** DIN69893-HSK  
HSK50
- 6** ABS Licenza KOMET®  
ABS50



\* Option: Dual Contact



FH  
 BAH  
 TA.CP  
 TA  
 MOX  
 HT  
 VH  
 TSI/TSX  
 T  
 MT-TC-TC3  
 Accessori  
 Accessories  
 Appendice tecnica  
 Technical supplement