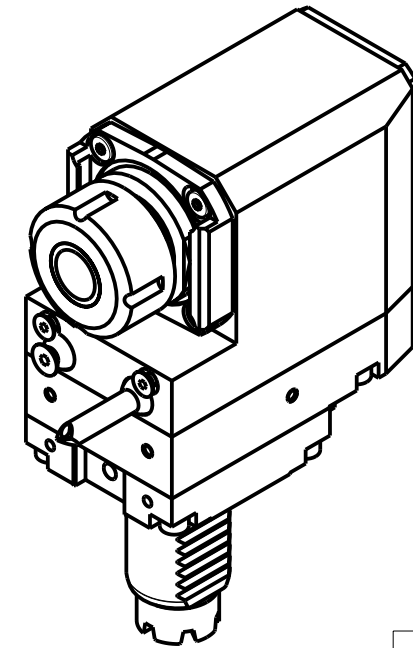
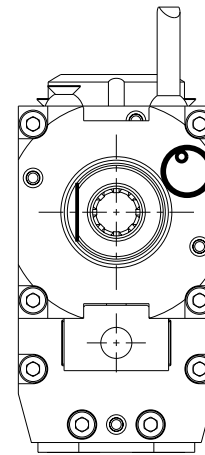
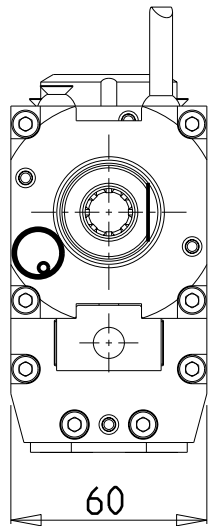


versione dx
right version
version rechts

versione sx
left version
version links



• Chiave inclusa

• Key included

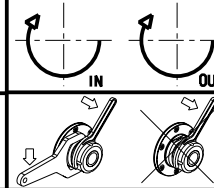
• Schlüssel inbegriffen

Cod. MT		Mandrino Spindle Spindel	I	RPM	Coppia Max Max Torque Max Drehmoment	Lubrificazione int. Coolant through Innenkuehlung	Lubrificazione est. Ext. coolant Aussenkuehlung	A1	A2	B	CHIAVI NON INCLUSE Keys not included Schlüssel nicht einbegriffen	
versione dx right version version rechts	versione sx left version version links											
BAR0070120	BAR0071120	ER20	1:1	6000	32Nm	-	X	41.16	-	73.5	-	CHSTER20 OKU0290009
BAR0070220	BAR0071220	ER20	1:1	6000	32Nm	P=70bar	X	41.16	-	83.5	-	CHSTER20 OKU0290009
BAR0070320	BAR0071320	ERA20	1:1	6000	32Nm	-	X	24.5	-	73.5	CHUB22	CHTAER20ZC OKU0290009
BAR0070420	BAR0071420	ERA20	1:1	6000	32Nm	P=70bar	X	24.5	-	83.5	CHUB22	CHTAER20ZC OKU0290009
BAR0070125	BAR0071125	ER25	1:1	6000	32Nm	-	X	42.16	-	73.5	-	CHSTER25 OKU0290009
BAR0070225	BAR0071225	ER25	1:1	6000	32Nm	P=70bar	X	42.16	-	83.5	-	CHSTER25 OKU0290009
BAR0070325	BAR0071325	ERA25	1:1	6000	32Nm	-	X	28.5	-	73.5	CHUB27	CHTAER25ZC OKU0290009
BAR0070425	BAR0071425	ERA25	1:1	6000	32Nm	P=70bar	X	28.5	-	83.5	CHUB27	CHTAER25ZC OKU0290009
BAR0070516	BAR0071516	WELDON16	1:1	6000	32Nm	-	X	-	27.5	73.5	-	-

BARUFFALDI
VDI 30

MODULO MOTORIZZATO RADIALE ARRETRATO VDI30 H=85mm
Radial rear-set driven tool VDI30 H=85mm
Radial angetriebenes Werkzeug zurueckversetzt VDI30 H=85mm

Subject to change without notice.



M.T. srl

Via Casino Albini 480
Tel. 0541/956034-957884
Fax 0541/956341
47842 S. GIOVANNI IN M. (RN)
e-mail: mtma@mtmarchetti.com
http://www.mtmarchetti.com



BAR015-1-70