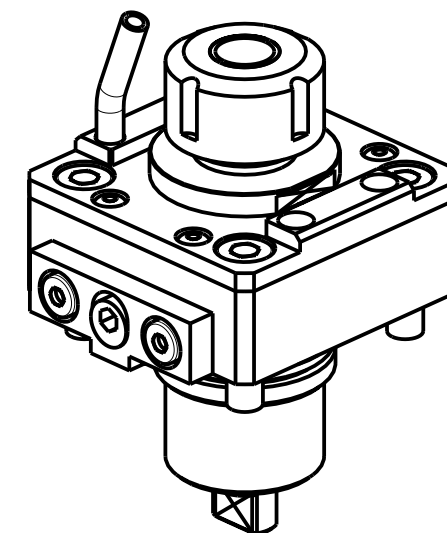
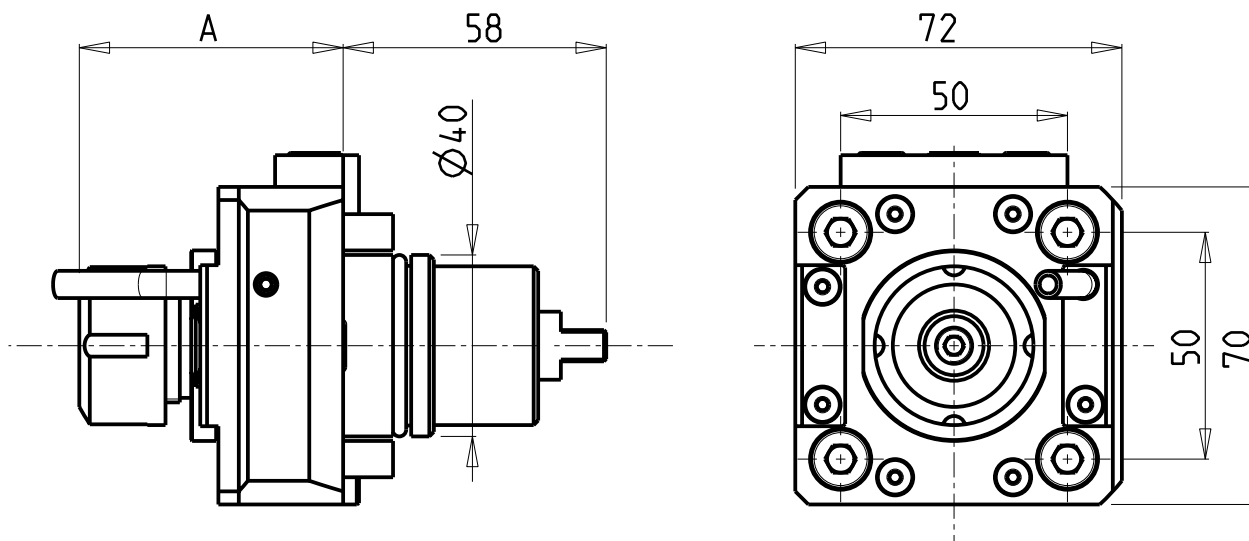


CUSCINETTI MAGGIORATI PER LAVORAZIONI PESANTI

Reinforced bearings for
heavy machining

Vergroesserte lager fuer
schwerere Bearbeitungen



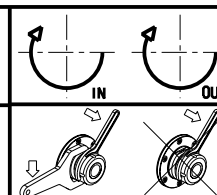
Cod. MT	Mandrino Spindle Spindel	i	RPM	Coppia Max Max Torque Max Drehmoment	Lubrificazione est. Ext. coolant Aussekuehlung	A	CHIAVI NON INCLUSE Keys not included Schluessel nicht einbegriffen	
							OKU0290009 ▪	CHSTER20
BGL1190320	ER20	1:1	6000	50Nm	X	58.2	OKU0290009 ▪	CHSTER20
BGL1190325	ER25	1:1	6000	50Nm	X	59.2	OKU0290009 ▪	CHSTER25

- Chiave inclusa
- Key included
- Schluessel inbegriffen

BIGLIA
MOD: B436/438 - BMX 45Y2

MODULO MOTORIZZATO RADIALE MAGGIORATO
Radial reinforced driven tool
Radial angetriebenes Werkzeug vergroessert

Subject to change without notice.



M.T. srl
Via Casino Albini 480
Tel. 0541/956034-957884
Fax 0541/956341
47842 S. GIOVANNI IN M. (RN)
e-mail: mtma@mtmarchetti.com
http://www.mtmarchetti.com



BGL020-2-00