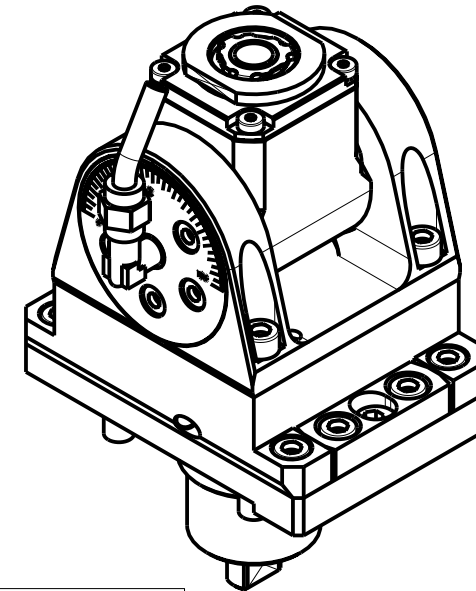


ATTENZIONE - ATTENTION - ACHTUNG

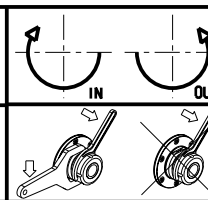
- VERIFICARE LE MISURE DI INGOMBRO PER POSSIBILE INTERFERENZA
- Please check the overall sizes for possible interferences
- Bitte überprüfen sie das Ausmass um mögliche Interferenzen zu vermeiden



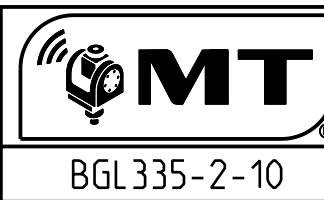
Cod. MT	Mandrino Spindle Spindel	I	RPM	Coppia Max Max Torque Max Drehmoment	Reversibile lato mandrino/contromandrino Reversible sub/main spindle side Umkehrbare Spindel-seite/ Gegenspindel-seite	Lubrificazione int. Coolant through Innenkuehlung	Lubrificazione est. Ext. coolant Aussenkuehlung	CHIAVI INCLUSE Keys included Schluessel inbegriffen			
BGL1101120	ER A 16	1:1	6000	20Nm	X	-	X	CHUB19_SP3	CHUB32	CHESL05	CHTAER16ZC
BGL1101220	ER A 16	1:1	6000	20Nm	X	P=70bar	X	CHUB19_SP3	CHUB32	CHESL05	CHTAER16ZC

BIGLIA
MOD: B436/438 - BMX 45Y2

MODULO MOTORIZZATO ORIENTABILE ±90° H=65mm
±90° adjustable angle driven tool H=65mm
Angetriebenes Werkzeug schwenkbar ±90° H=65mm



M.T. srl
Via Casino Albini 480
Tel. 0541/956034-957884
Fax 0541/956341
47842 S. GIOVANNI IN M. (RN)
e-mail: mtma@mtmarchetti.com
http://www.mtmarchetti.com



BGL335-2-10

Subject to change without notice.

09/2024