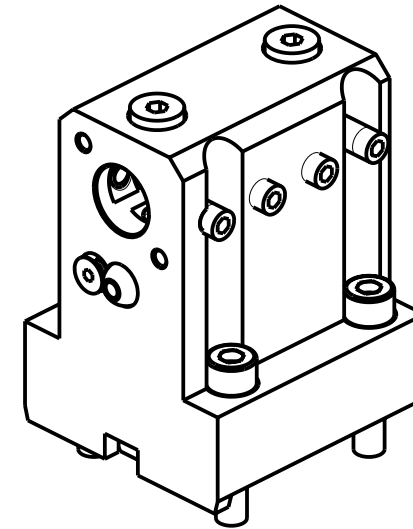


KIT ADDUZIONE INTERNA (OPZIONALE)
 KIT FOR INTERNAL COOLANT (OPTIONAL)
 KIT FUER INTERNE KUEHLMITTELZUFUHR (OPTIONAL)
 -Ø20mm cod. KIT1000015
 -Ø3/4" cod. KIT1000005



Cod. MT	Reversibile lato mandrino/contromandrino Reversible sub/main spindle side Umkehrbare Spindel-seite/ Gegenspindel-seite	Lubrificazione int. opzionale Coolant through optional Innenkuehlung Optional	Lubrificazione est. Ext. coolant Aussenkuehlung	Misure Dimensions Masse	D
BGL1312000	X	X	X	mm	20
BGL1311905	X	X	X	Inch	3/4"

BIGLIA
 MOD: B436/438 - BMX 45Y2

PORTAUTENSILE ASSIALE PER BARENO Ø20mm / Ø3/4" H=75mm
 Axial single boring bar holder Ø20mm / Ø3/4" H=75mm
 Axial Bohrhälter Ø20mm / Ø3/4" H=75mm

Subject to change without notice.

M.T. srl
 Via Casino Albini 480
 Tel. 0541/956034-957884
 Fax 0541/956341
 47842 S. GIOVANNI IN M. (RN)
 e-mail: mtma@mtmarchetti.com
 http://www.mtmarchetti.com



BGL700-2-10