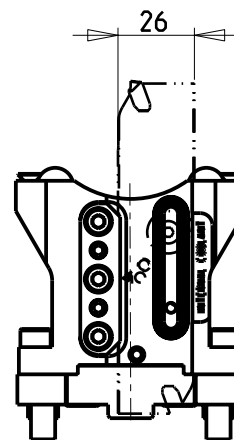
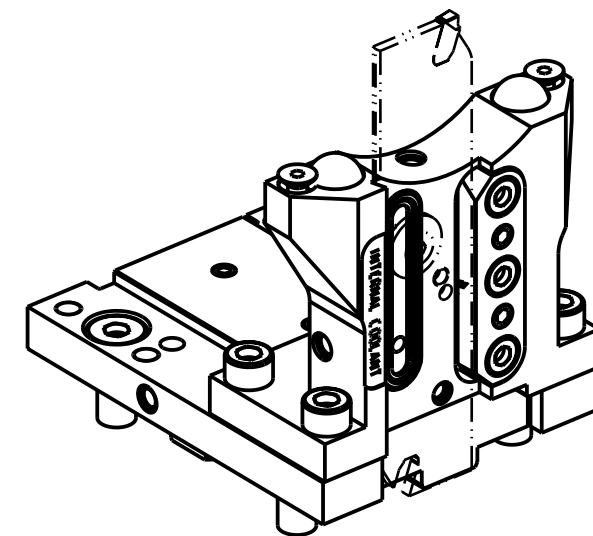
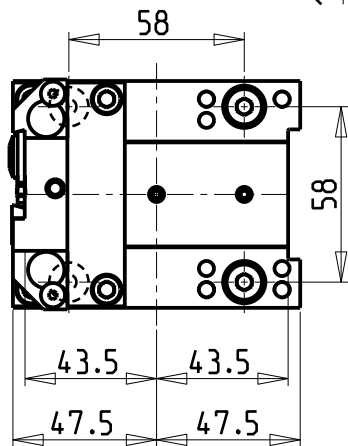


versione dx  
right version  
version rechts



versione sx  
left version  
version links



**KIT LAME NON INCLUSI (OPZIONALI)**  
**BLADES NOT SUPPLIED WITH (OPTIONAL)**  
**KLINGEN NICHT INBEGRIFFEN (OPTIONAL)**

- LAMA-BLADE-KLINGE SANDVIK H=26 sp.3 cod. QD\_NN2G36C21A  
+INSERTI-INSERTS-EINLAGEN cod. QD\_NG\_0300\_0002\_CM\_1145 (10 pz.)
- LAMA-BLADE-KLINGE ISCAR H=26 sp.3 cod. SGFH\_26K\_3  
+INSERTI-INSERTS-EINLAGEN cod. 6011365 (10pz.)

| Cod. MT  |  | N°Utensili<br>N°Tools<br>N°Werkzeuge | Reversibile lato<br>mandrino/contromandrino<br>Reversible sub/main<br>spindle side<br>Umkehrbare Spindel-seite/<br>Gegenspindel-seite | Lubr.esterna<br>Ext. coolant<br>Aussenkuehlung | Lubr.interna<br>Coolant through<br>Innenkuehlung |
|--|--|--------------------------------------|---|--|--|
| versione dx<br>right version<br>version rechts | versione sx<br>left version<br>version links |                                      |   |  |  |
| DW 02950126R                                   | DW 02950126L                                 | 1                                    | X   | X  | P=70bar  |

**DN SOLUTIONS (DOOSAN) BMT 45**

MOD: LYNX 220 M/LM/LMS/LY/LSY - LYNX 2100 M/LM/LMS/LY/LSY - LYNX 2105LY - PUMA MX1600 16ST. - PUMA TW2100M 10ST.  
PUMA TT1300SY/SYY

**PORTAUTENSILE RADIALE PER LAMA CON LUBRIFICAZIONE INTERNA**

**Radial blade holder with internal coolant**

**Radial Abstechhalter mit Innenkuehlung**

Subject to change without notice.

**M.T. srl**

Via Casino Albini 480  
Tel. 0541/956034-957884  
Fax 0541/956341  
47842 S. GIOVANNI IN M. (RN)  
e-mail: mtma@mtmarchetti.com  
http://www.mtmarchetti.com



DW 0520-1-15

09/2024