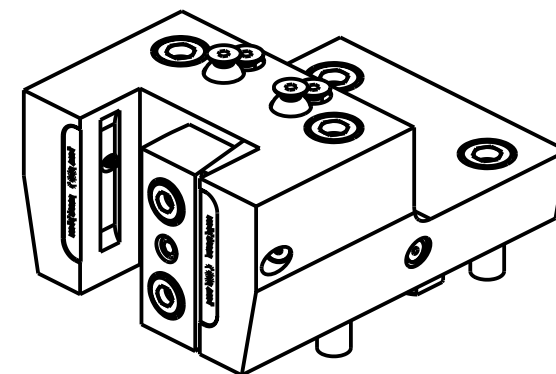
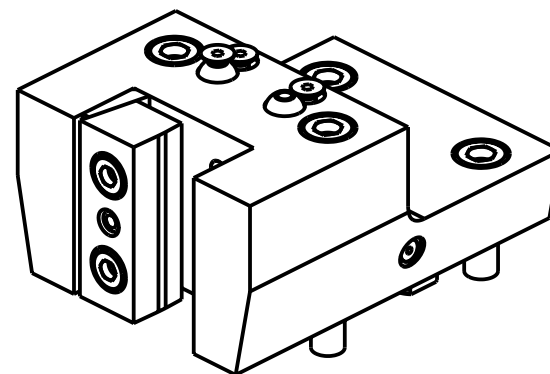


DW 02222510



Cod. MT	N°Utensili N°Tools N°Werkzeuge	Reversibile lato mandrino/contromandrino Reversible sub/main spindle side Umkehrbare Spindel-seite/ Gegenspindel-seite	Lubrificazione int. Coolant through Innenkuehlung	Lubrificazione est. Ext. coolant Aussenkuehlung	Misure Dimensions Masse	A	B	H
DW 03842500	1	X	-	X	mm	76	25	25
DW 03842540	1	X	-	X	Inch	76	1"	1"
DW 02222510	1	X	P=70bar	X	mm	81	25	25

DN SOLUTIONS (DOOSAN) BMT 55

MOD: PUMA 230-240M/MS-280LM - PUMA 1500-2000-2100-2500-2600M/MS/Y/SY - LYNX 300 M - PUMA 2100-2600Y/SY 16ST. - PUMA TT1500-1800-2100MS/SY/SYY  
PUMA TL2000-2500 (M) - MX1600/2100ST 12ST. - SMX2100ST - PUMA GT2100-2600 M - PUMA HZ50TM - PUMA QL200HM - LYNX 2600 Y/SY 12ST./16ST. - PUMA DNT2100-2600M (BMT55)

PORTAUTENSILE RADIALE SINGOLO QD=25mm / QD=1" H=60mm

Radial single static tool QD=25mm / QD=1" H=60mm

Radial Single-Werkzeughalter QD=25mm / QD=1" H=60mm

**M.T. srl**

Via Casino Albini 480  
Tel. 0541/956034-957884  
Fax 0541/956341  
47842 S. GIOVANNI IN M. (RN)  
e-mail: mtma@tmarchetti.com  
http://www.tmmarchetti.com



DW 0423-2-00

Subject to change without notice.

09/2024