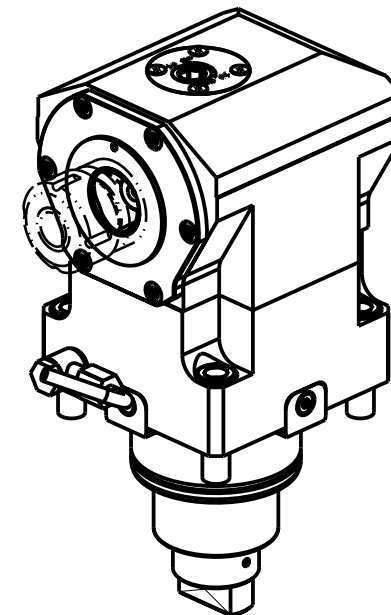


ATTENZIONE - ATTENTION - ACHTUNG

- VERIFICARE LE MISURE DI INGOMBRO PER POSSIBILE INTERFERENZA SU ALCUNI MODELLI DI MACCHINE
- Please check the overall sizes for possible interferences on some machine models
- Bitte überprüfen sie das ausmass um mögliche interferenzen auf einigen maschinen modellen zu vermeiden



- # ATTENZIONE: Non si monta su macchina V8300M
- # WARNING: This tool can not be mounted on V8300M
- # ACHTUNG: Werkzeug darf nicht auf V8300M montiert werden

| Cod. MT | TAGLIA Size Masse | I | RPM | Coppia Max Max Torque Max Drehmoment | Reversibile lato mandrino/contromandrino Reversible sub/main spindle side Umkehrbare Spindel-seite/ Gegenspindel-seite | Lubr.interna Coolant through Innenkuehlung | Lubr.esterna Ext. coolant Aussenkuehlung | L2 |
|--------------|-------------------------|-----|------|--|---|--|--|------|
| DW03430140 | C4 | 1:1 | 6000 | 140Nm | X | - | X | 63 |
| # DW03430240 | C4 | 1:1 | 6000 | 140Nm | X | P=70bar | X | 75.5 |
| DW03430150 | C5 | 1:1 | 6000 | 140Nm | X | - | X | 63 |
| # DW03430250 | C5 | 1:1 | 6000 | 140Nm | X | P=70bar | X | 75.5 |

DN SOLUTIONS (DOOSAN) BMT 75

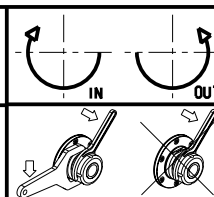
MOD: PUMA 400 - PUMA 480M/LM/XLM - PUMA 4100M - PUMA 5100M/Y - V550M - VT 750M/TM - V8300M

MODULO MOTORIZZATO ASSIALE MT CAPTO H=110mm

Axial driven tool MT CAPTO H=110mm

Axial angetriebenes Werkzeug MT CAPTO H=110mm

Subject to change without notice.



M.T. srl

Via Casino Albini 480
Tel. 0541/956034-957884
Fax 0541/956341

47842 S. GIOVANNI IN M. (RN)
e-mail: mtma@mtmarchetti.com
http://www.mtmarchetti.com



DW0150-D-44