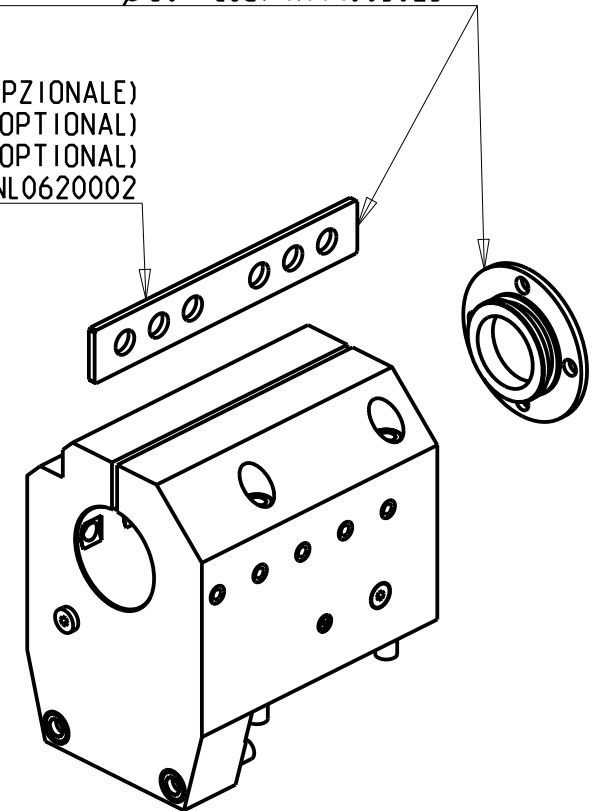


KIT ADDUZIONE INTERNA (OPZIONALE)  
 KIT FOR INTERNAL COOLANT (OPTIONAL)  
 KIT FUER INTERNE KUEHLMITTELZUFUHR (OPTIONAL)  
 Ø60 cod. KIT1005025

SOLO GUARNIZIONE (OPZIONALE)  
 ONLY SEAL (OPTIONAL)  
 NUR DICHTUNG (OPTIONAL)  
 cod. MNL0620002



| Cod. MT    | N°Utensili<br>N°Tools<br>N°Werkzeuge | Lubrificazione int.<br>opzionale<br>Coolant through<br>optional<br>Innenkuehlung<br>Optional | Lubrificazione est.<br>Ext. coolant<br>Aussenkuehlung | Misure<br>Dimensions<br>Masse | D  |     |
|------------|--------------------------------------|--|---|-------------------------------|----|-----|
| DW04296000 | 1                                    | X  | X   | mm                            | 60 | NEW |

DN SOLUTIONS (DOOSAN) BMT 85

MOD: PUMA 600M/LM/LY - PUMA 700M/LM/LY - PUMA 800M/LM/LY  
 PUMA 600M/LM/LY(II) - PUMA 700M/LM/LY(II) - PUMA 800M/LM/LY(II) - VT900M/TM - V9300M

PORTAUTENSILE ASSIALE PER BARENO Ø60mm H=85mm

Axial single boring bar holder Ø60mm H=85mm

Axial Bohrhälter Ø60mm H=85mm

**M.T. srl**

Via Casino Albini 480  
 Tel. 0541/956034-957884  
 Fax 0541/956341  
 47842 S. GIOVANNI IN M. (RN)  
 e-mail: mtma@mtmarchetti.com  
 http://www.mtmarchetti.com



DW 0590-5-20

Subject to change without notice.

09/2024