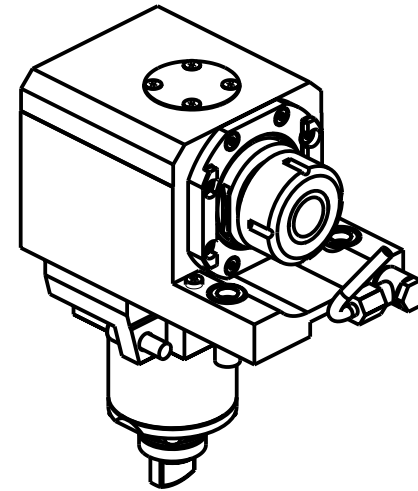
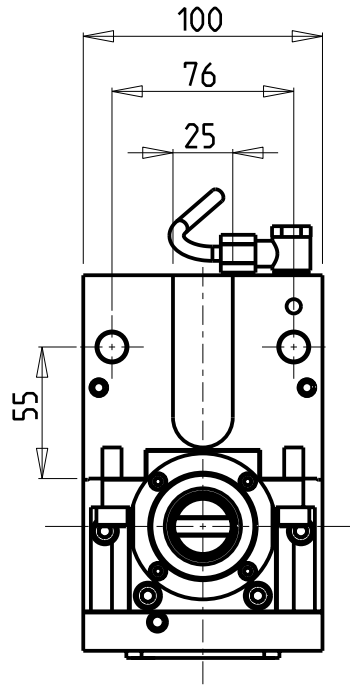
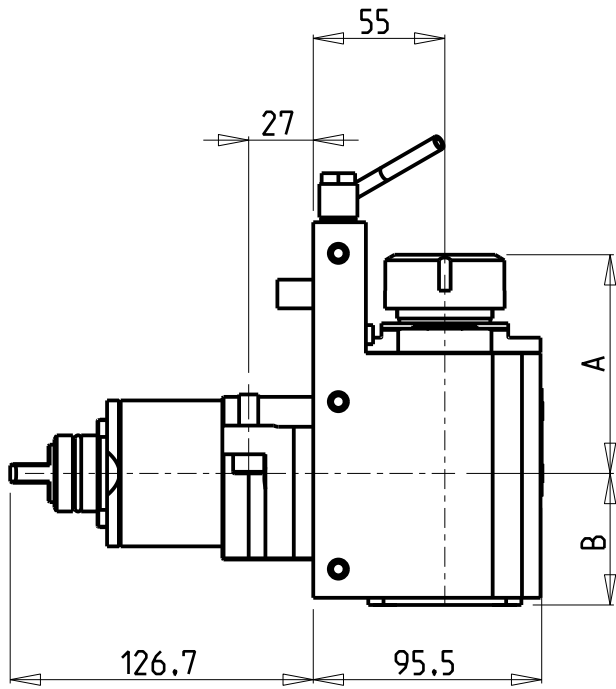


ATTENZIONE - ATTENTION - ACHTUNG

- Per lo smontaggio degli utensili utilizzare sempre la chiave di contrasto come indicato nel manuale d'uso.
- For disassembly of the tools use always the contrast key as mentioned in the user instructions.
- Fuer das Abmontieren der Werkzeuge immer den Gegenschlüssel benutzen wie in der Bedienungsanleitung erwäehnt.



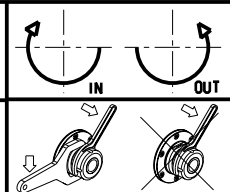
- Chiave inclusa
- Key included
- Schlüssel inbegriffen

Cod. MT	Mandrino Spindle Spindel	I	RPM	Coppia Max Max Torque Max Drehmoment	Lubrificazione int. Coolant through Innenkuehlung	Lubrificazione est. Ext. coolant Aussenkuehlung	A	B	CHIAVI NON INCLUDE Keys not included Schluesssel nicht einbegriffen	
MSL0580132	ER32	1:1	12000	105Nm	-	X	91.41	55	MNZ04 10005 *	CHSTER32
MSL0580232	ER32	1:1	12000	105Nm	P=70bar	X	91.41	67.5	MNZ04 10005 *	CHSTER32
MSL0580125	ER25	1:1	12000	105Nm	-	X	88.41	55	MNZ04 10005 *	CHSTER25
MSL0580225	ER25	1:1	12000	105Nm	P=70bar	X	88.41	67.5	MNZ04 10005 *	CHSTER25

CMZ
 MOD:TL25AM/AMS/BM/BMS - TL20M/MS/TM - TA15-20-25-30M/Y/MS/MY/YS 12ST. - TC15-20-25-30-35M/Y/MS/MY/YS 12ST./16ST.
 TD15-20-25-30-35-45-55M/Y/MS/MY/YS 12ST./16ST.

MODULO MOTORIZZATO ASSIALE PER CONTROMANDRINO 12000 RPM H=55mm
 Axial driven tool for subspindle 12000 rpm H=55mm
 Axial angetriebenes Werkzeug fuer Gegenspindel 12000 rpm H=55mm

Subject to change without notice.



M.T. srl
 Via Casino Albini 480
 Tel. 0541/956034-957884
 Fax 0541/956341
 47842 S. GIOVANNI IN M. (RN)
 e-mail: mtma@mtmarchetti.com
 http://www.mtmarchetti.com



CMZ155-2-11