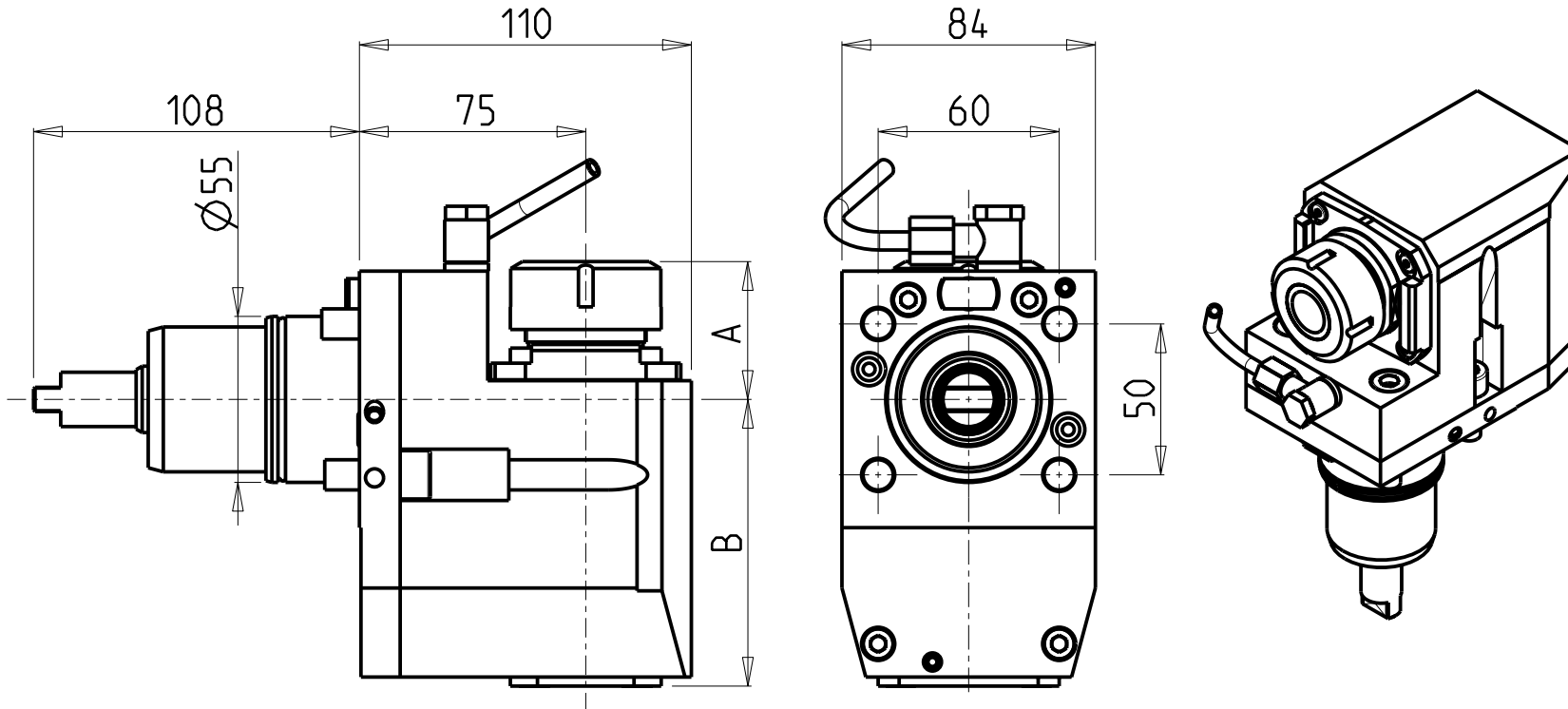


ATTENZIONE - ATTENTION - ACHTUNG

- VERIFICARE LE MISURE DI INGOMBRO PER POSSIBILE INTERFERENZA SU ALCUNI MODELLI DI MACCHINE
- Please check the overall sizes for possible interferences on some machine models
- Bitte überprüfen sie das ausmass um mögliche interferenzen auf einigen maschinen modellen zu vermeiden



- Chiave inclusa
- Key included
- Schlüssel inbegriffen

Cod. MT	Mandrino Spindle Spindel	I	RPM	Coppia Max Max Torque Max Drehmoment	Reversibile lato mandrino/contromandrino Reversible sub/main spindle side Umkehrbare Spindel-seite/Gegenspindel-seite	Lubr.interna Coolant through Innenkuehlung	Lubrificazione est. Ext. coolant Ausseinkuehlung	A	B	CHIAVI NON INCLUSE Keys not included Schlüssel nicht inbegriffen	
NKM1080125	ER25	1:1	6000	50Nm	X	-	X	42.7	95	MNZ0410005	CHSTER25
NKM1080225	ER25	1:1	6000	50Nm	X	P=70bar	X	42.7	108.5	MNZ0410005	CHSTER25
NKM1080132	ER32	1:1	6000	50Nm	X	-	X	45.7	95	MNZ0410005	CHSTER32
NKM1080232	ER32	1:1	6000	50Nm	X	P=70bar	X	45.7	108.5	MNZ0410005	CHSTER32

CMZ

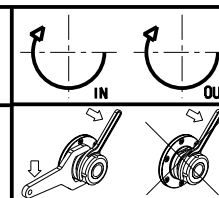
MOD: TX52 Y3/Y2 QUATTRO/Y2 TW IN - TX66 Y3/Y2 QUATTRO/Y2 TW IN - TTL 52 - TTL 66
TA15-20-25-30M/Y/MS/MY/YS 15 ST.

MODULO MOTORIZZATO ASSIALE ARRETRATO H=75mm

Axial rear-set driven tool H=75mm

Axial angetriebenes Werkzeug zurueckversetzt H=75mm

Subject to change without notice.



M.T. srl

Via Casino Albini 480
Tel. 0541/956034-957884
Fax 0541/956341
47842 S. GIOVANNI IN M. (RN)
e-mail: mtma@mtmarchetti.com
http://www.mtmarchetti.com



CMZ180-3-10