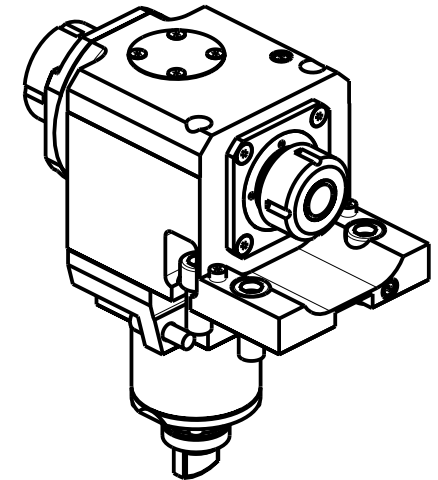
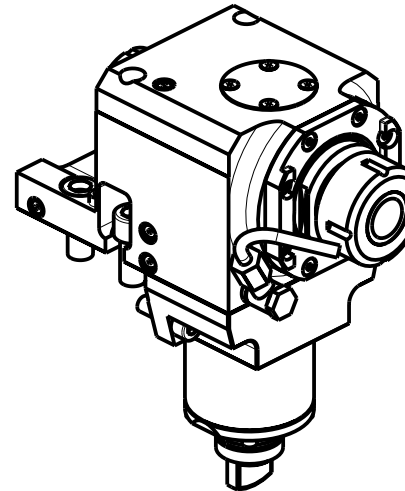
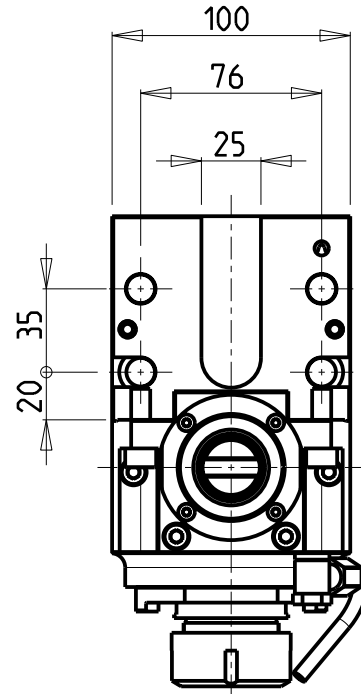
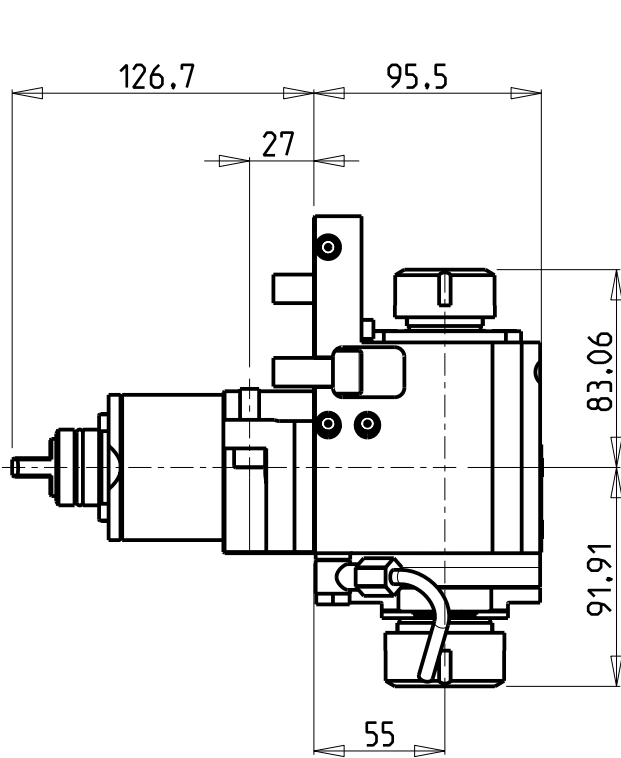


ATTENZIONE - ATTENTION - ACHTUNG

- Per lo smontaggio degli utensili utilizzare sempre la chiave di contrasto come indicato nel manuale d'uso.
- For disassembly of the tools use always the contrast key as mentioned in the user instructions.
- Fuer das Abmontieren der Werkzeuge immer den Gegenschlüssel benutzen wie in der Bedienungsanleitung erwaeht.



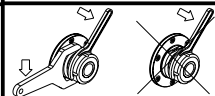
- Chiave inclusa
- Key included
- Schluessel inbegriffen

Cod. MT	Mandrino Spindle Spindel	I	RPM	Coppia Max Max Torque Max Drehmoment	Lubrificazione est. Ext. coolant Aussenkuehlung	CHIAVI NON INCLUSE Keys not included Schluessel nicht einbegriffen		
MSL0273225	ER32+ER25	1:1	12000	105Nm	X	MNZ0410005	CHSTER32	CHSTER25

CMZ
 MOD: TL25AM/AMS/BM/BMS - TL20M/MS/TM - TA15-20-25-30M/Y/MS/MY/YS 12ST. - TC15-20-25-30-35M/Y/MS/MY/YS 12ST./16ST.
 TD15-20-25-30-35-45-55M/Y/MS/MY/YS 12ST./16ST.

MODULO MOTORIZZATO ASSIALE BISPORGENTE 12000 RPM
 Axial opposite face twin driven tool 12000 rpm
 Axial angetriebenes Werkzeug halb vorspringend 12000 rpm

Subject to change without notice.



M.T. srl
 Via Casino Albini 480
 Tel. 0541/956034-957884
 Fax 0541/956341
 47842 S. GIOVANNI IN M. (RN)
 e-mail: mtma@mtmarchetti.com
 http://www.mtmarchetti.com



CMZ240-2-11