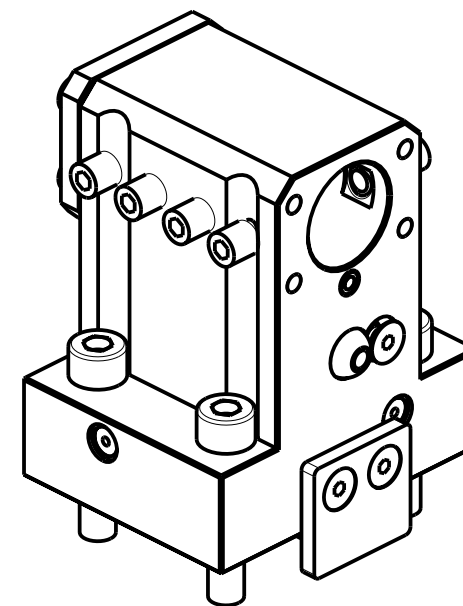


KIT ADDUZIONE INTERNA (OPZIONALE)
 KIT FOR INTERNAL COOLANT (OPTIONAL)
 KIT FUER INTERNE KUEHLMITTELZUFUHR (OPTIONAL)
 Ø25-Ø1" cod. KIT1000017



Cod. MT	N°Utensili N°Tools N°Werkzeuge	Reversibile lato mandrino/contromandrino Reversible sub/main spindle side Umkehrbare Spindel-seite/ Gegenspindel-seite	Lubrificazione int. opzionale Coolant through optional Innenkuehlung Optional	Lubrificazione est. Ext. coolant Aussenkuehlung	Misure Dimensions Masse	D
NKM0112560	1	X	X	X	mm	25
NKM0112570	1	X	X	X	Inch	1"

CMZ
 MOD: TTS 38 - TTS 46 - TTS 52 - TTS 66
 PORTAUTENSILE ASSIALE PER BARENO Ø25mm / Ø1" H=75mm
 Axial single boring bar holder Ø25mm / Ø1" H=75mm
 Axial Bohrhälter Ø25mm / Ø1" H=75mm

Subject to change without notice.

M.T. srl
 Via Casino Albini 480
 Tel. 0541/956034-957884
 Fax 0541/956341
 47842 S. GIOVANNI IN M. (RN)
 e-mail: mtma@mtmarchetti.com
 http://www.mtmarchetti.com



CMZ670-4-20