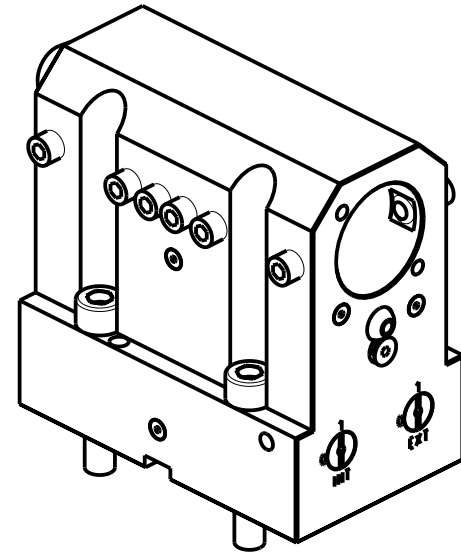


KIT ADDUZIONE INTERNA (OPZIONALE)  
 KIT FOR INTERNAL COOLANT (OPTIONAL)  
 KIT FUER INTERNE KUEHLMITTELZUFUHR (OPTIONAL)  
 Ø40 cod. KIT1000018  
 Ø1 1/2" cod. KIT1000021



PER BOCCOLE DI RIDUZIONE VEDI PAG. TBL150-1-00  
 FOR REDUCING BUSHINGS SEE PAGE TBL150-1-00  
 FUER REDUZIERBUCHSE SIEHE SEITE TBL150-1-00

| Cod. MT    | N°Utensili<br>N°Tools<br>N°Werkzeuge | Reversibile lato<br>mandrino/contromandrino<br>Reversible sub/main<br>spindle side<br>Umkehrbare Spindel-seite/<br>Gegenspindel-seite | Lubrificazione int.<br>opzionale<br>Coolant through<br>optional<br>Innenkuehlung<br>Optional | Lubrificazione est.<br>Ext. coolant<br>Aussenkuehlung | Misure<br>Dimensions<br>Masse | D      |
|------------|--------------------------------------|---|--|---|-------------------------------|--------|
| MNZ0144000 | 1+1                                  | X   | X  | X   | mm                            | 40     |
| MNZ0143810 | 1+1                                  | X   | X  | X   | inch                          | 1 1/2" |

DMG-MORI  
 NZ-NZX1500/2000 - NZX2500 (BMT40) - NT3100/3150/3200 - NL1500/2000/2500 20 STAZ. - NLX1500/2000/2500 20 STAZ. - NT1000/2000 - NTX500 (BMT40) - NTX1000/2000  
 NTX1000/2000/2500/3000 2ND GEN. 12ST. - DURATURN 2050MC/2550MC - NRX2000 - ALC/ALX1500/2000/2500 (BMT40) - ECOTURN 450 (BMT40) - NZ DUE/TRE/QUATTRO (BMT40)

PORTAUTENSILE ASSIALE PER BARENO Ø40mm H=100mm  
 Axial single boring bar holder Ø40mm H=100mm  
 Axial Bohrhalter Ø40mm H=100mm

Subject to change without notice.

**M.T. srl**  
 Via Casino Albini 480  
 Tel. 0541/956034-957884  
 Fax 0541/956341  
 47842 S. GIOVANNI IN M. (RN)  
 e-mail: mtma@mtmarchetti.com  
 http://www.mtmarchetti.com



MNZ640-1-10