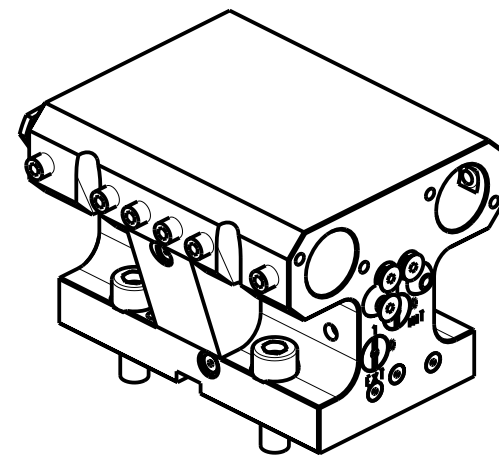
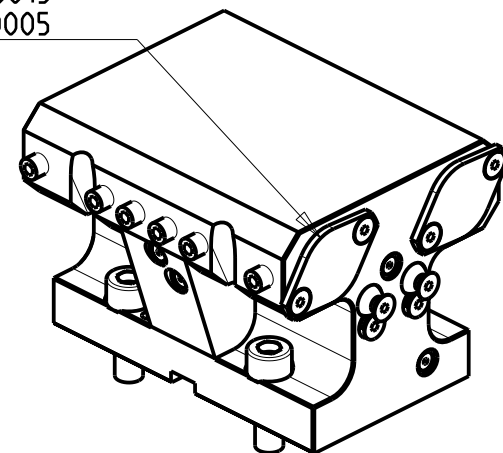


KIT ADDUZIONE INTERNA (OPZIONALE)  
 KIT FOR INTERNAL COOLANT (OPTIONAL)  
 KIT FUER INTERNE KUEHLMITTELZUFUHR (OPTIONAL)  
 Ø25 / Ø1" cod. KIT1000006  
 Ø20 cod. KIT1000015  
 Ø3/4" cod. KIT1000005

PER BOCCOLE DI RIDUZIONE VEDI PAG. TBL150-1-00  
 FOR REDUCING BUSHINGS SEE PAGE TBL150-1-00  
 FUR REDUZIERBUCHSE SIEHE SEITE TBL150-1-00



| Cod. MT    | N°Utensili<br>N°Tools<br>N°Werkzeuge | Reversibile lato<br>mandrino/contromandrino<br>Reversible sub/main<br>spindle side<br>Umkehrbare Spindel-seite/<br>Gegenspindel-seite | Lubrificazione int.<br>opzionale<br>Coolant through<br>optional<br>Innenkuehlung<br>Optional | Lubrificazione est.<br>Ext. coolant<br>Aussenkuehlung | Misure<br>Dimensions<br>Masse | D    | A    |
|------------|--------------------------------------|---|--|---|-------------------------------|------|------|
| MNZ0242500 | 2+2                                  | X   | X  | X   | mm                            | 25   | 65   |
| MNZ0242540 | 2+2                                  | X   | X  | X   | Inch                          | 1"   | 63.5 |
| MNZ0242000 | 2+2                                  | X   | X  | X   | mm                            | 20   | 65   |
| MNZ0241905 | 2+2                                  | X   | X  | X   | Inch                          | 3/4" | 63.5 |

DMG-MORI

NZ1500/2000 - NZX1500/2000 - NT3100/3150/3200 - NL1500/2000/2500 20 STAZ. - NLX1500/2000/2500 20 STAZ. - NT1000/2000 - NTX1000/2000  
 NTX1000/2000/2500/3000 2ND GEN. 12ST. - DURATURN 2050MC/2550MC - ALC/ALX1500/2000/2500 (BMT40) - ECOTURN 450 (BMT40)

PORTAUTENSILE ASSIALE PER BARENO 2+2 POSIZIONI Ø25mm / Ø1" / Ø20mm / Ø3/4"

Axial 2+2 position boring bar holder Ø25mm / Ø1" / Ø20mm / Ø3/4"

Axial Bohrhälter 2+2 Positionen Ø25mm / Ø1" / Ø20mm / Ø3/4"

M.T. srl

Via Casino Albini 480  
 Tel. 0541/956034-957884  
 Fax 0541/956341

47842 S. GIOVANNI IN M. (RN)  
 e-mail: mtma@mtmarchetti.com  
 http://www.mtmarchetti.com



MNZ864-1-00

Subject to change without notice.

09/2024