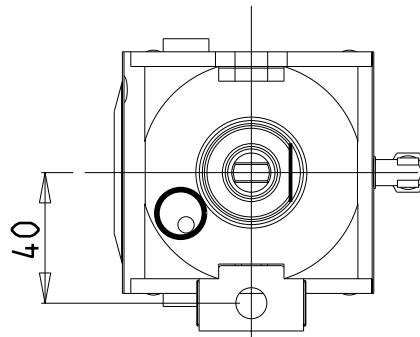
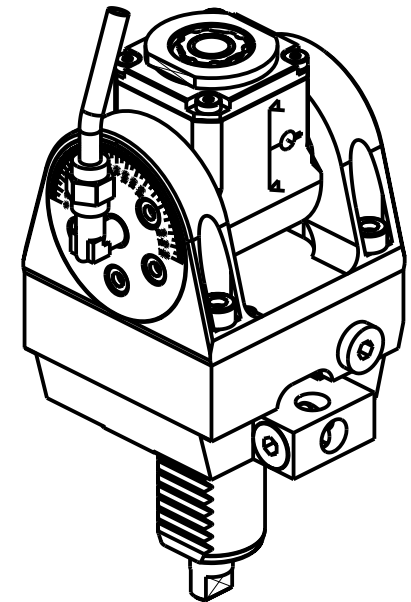
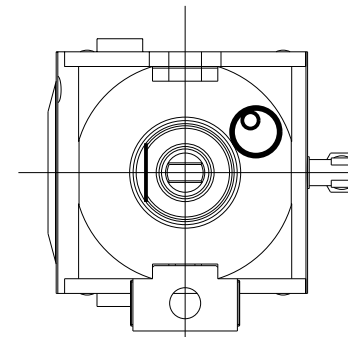


versione dx
right version
version rechts



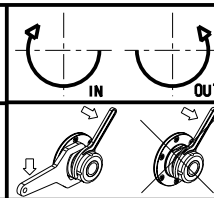
versione sx
left version
version links



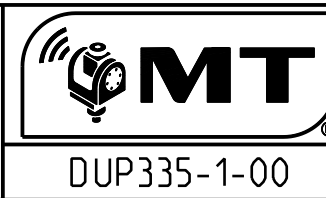
Cod. MT		Mandrino Spindle Spindel	i	RPM	Coppia Max Max Torque Max Drehmoment	Lubrificazione int. Coolant through Innenkuehlung	Lubrificazione est. Ext. coolant Aussenkuehlung	CHIAVI INCLUDE Keys included Schluessel inbegriffen		
versione dx right version version rechts	versione sx left version version links							CHUB19_SP3	CHUB32	CHTAER16ZC
DUP0230116	DUP0231116	ERA16	1:1	6000	20Nm	-	X	CHUB19_SP3	CHUB32	CHTAER16ZC
DUP0230216	DUP0231216	ERA16	1:1	6000	20Nm	P=70bar	X	CHUB19_SP3	CHUB32	CHTAER16ZC

DIPLOMATIC
VDI 30

MODULO MOTORIZZATO ORIENTABILE ±90° VDI30
±90° adjustable angle driven tool VDI30
Angetriebenes Werkzeug schwenkbar ±90° VDI30



M.T. srl
Via Casino Albini 480
Tel. 0541/956034-957884
Fax 0541/956341
47842 S. GIOVANNI IN M. (RN)
e-mail: mtma@mtmarchetti.com
http://www.mtmarchetti.com



Subject to change without notice.

09/2024