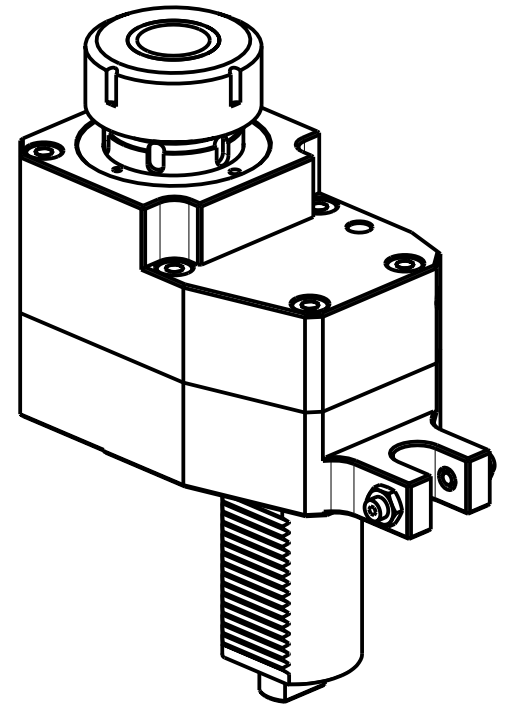
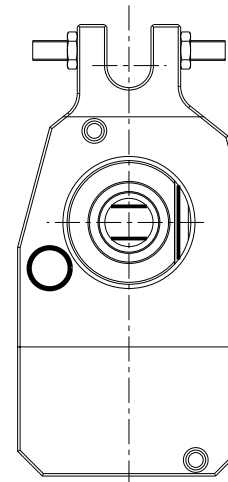
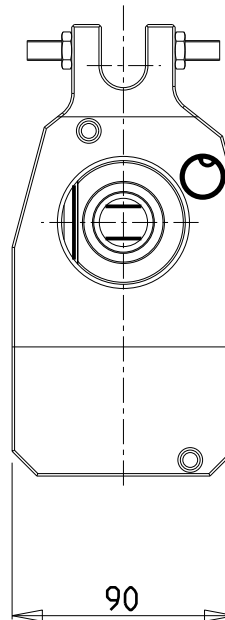


versione dx
right version
version rechts

versione sx
left version
version links



Cod. MT

Mandrino
Spindle
Spindel

I

RPM

Coppia Max
Max Torque
Max Drehmoment

Lubrificazione est.
Ext. coolant
Aussenkuehlung

CHIAVI NON INCLUSE
Keys not included
Schlüssel nicht einbegriffen

155DUP_A40_50A00

155DUP_A40_50A20

ER40

1:1

4000

100Nm

X

CHSE5255

CHSTER40

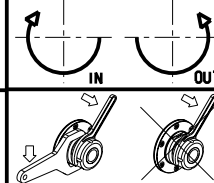
DIPLOMATIC
VDI 50

MODULO MOTORIZZATO ASSIALE DISASSATO 60mm VDI50

Axial driven tool re-directed by 60mm VDI50

Axial angetriebenes Werkzeug achsversetzt um 60mm VDI50

Subject to change without notice.



M.T. srl

Via Casino Albini 480
Tel. 0541/956034-957884
Fax 0541/956341

47842 S. GIOVANNI IN M. (RN)
e-mail: mtma@mtmarchetti.com
http://www.mtmarchetti.com



DUP160-3-00

09/2024