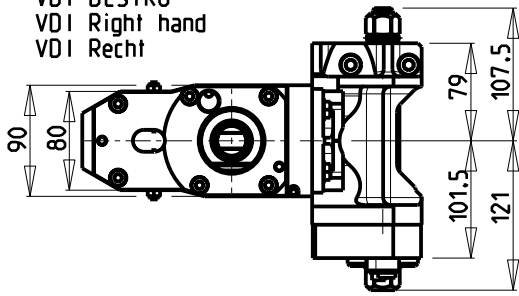
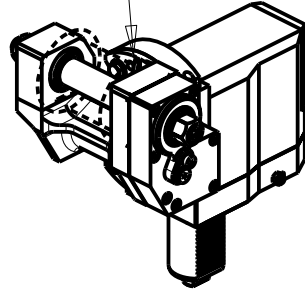


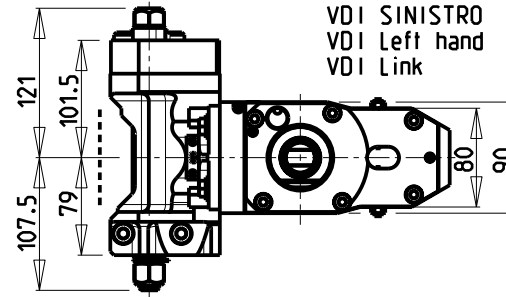
VDI DESTRO
VDI Right hand
VDI Recht



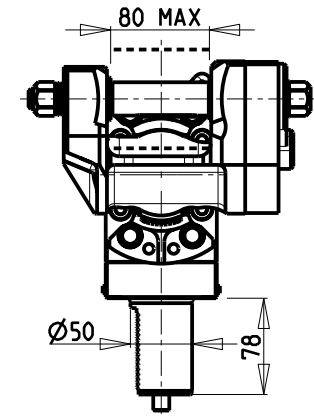
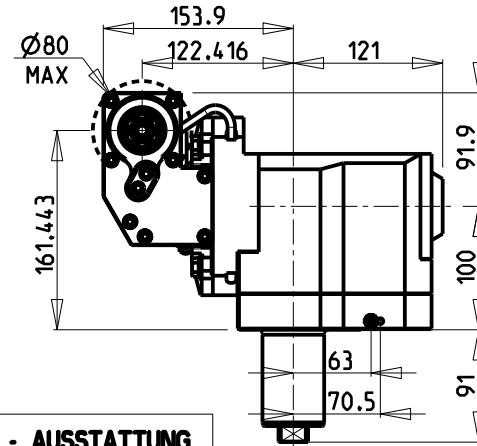
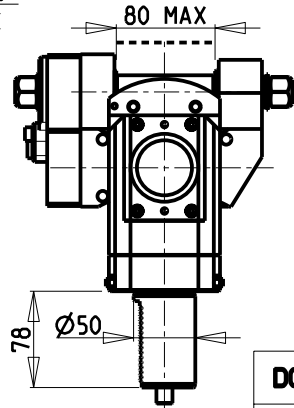
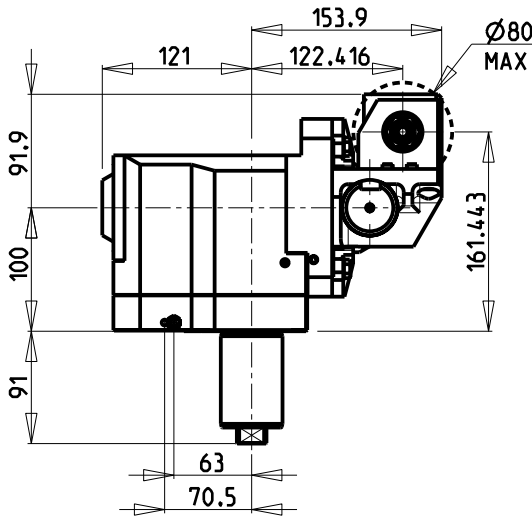
INCLINAZIONE
REGOLABILE ±20°



VDI SINISTRO
VDI Left hand
VDI Link



-LA FUNZIONE DI POLIGONATURA/DENTATURA
DEVE ESSERE INSTALLATA SULLA MACCHINA
-POLYGON CUTTING/GEAR HOBBING FUNCTION
MUST BE INSTALLED ON THE MACHINE
-DIE FUNKTION FÜR POLYGON-BZW. VERZÄHNUNGSFRÄSEN
MUSS AUF DER MASCHINE FREIGESCHALTET WERDEN



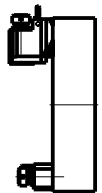
DOTAZIONI - SUPPLIED WITH - AUSSTATTUNG

mm / inch

- N°1 ALBERO + DISTANZIALI
- N°1 SHAFT + SPACER
- N°1 DORN + ABSTANDSSTUECK

PER ALBERI E DISTANZIALI VEDI PAG. TBL250-1-00
FOR SHAFT END SPACER SEE PAGE TBL250-1-00
FUER DORN UND ABSTANDSSTUECK SEITE TBL250-1-00

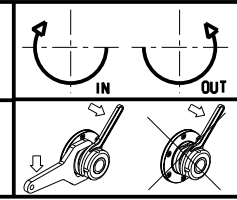
TORRETTE ASSIALI
AXIAL TURRETS
AXIAL REVOLVER



Cod. MT	I	RPM max	Coppia Max Max Torque Max Drehmoment	Lubrificazione est. Ext. coolant Aussenkuehlung	D (mm)	D (Inch)	CHIAVI INCLUSE Keys included Schlüssel inbegriffen			VDI
							CHUB24	CHUB13	CHESL08	
156DUP_PCR_50A00	1:1	4000	60Nm	X	16-22-27-32	3/4"-1"-1 1/4"	CHUB24	CHUB13	CHESL08	DESTRO - Right - Recht
156DUP_PCR_50A01	2:1	2000	80Nm	X	16-22-27-32	3/4"-1"-1 1/4"	CHUB24	CHUB13	CHESL08	DESTRO - Right - Recht
156DUP_PCR_50A10	1:1	4000	60Nm	X	16-22-27-32	3/4"-1"-1 1/4"	CHUB24	CHUB13	CHESL08	SINISTRO - Left - Link
156DUP_PCR_50A11	2:1	2000	80Nm	X	16-22-27-32	3/4"-1"-1 1/4"	CHUB24	CHUB13	CHESL08	SINISTRO - Left - Link

DIPLOMATIC
VDI 50

MODULO MOTORIZZATO PORTACREATORE VDI50
Driven gear hobber VDI50
Angetriebenes Zahnradwaeltzraes-Werkzeug VDI50



M.T. srl
Via Casino Albini 480
Tel. 0541/956034-957884
Fax 0541/956341
47842 S. GIOVANNI IN M. (RN)
e-mail: mtma@tmarchetti.com
http://www.tmmarchetti.com



DUP340-3-00

Subject to change without notice.

09/2024