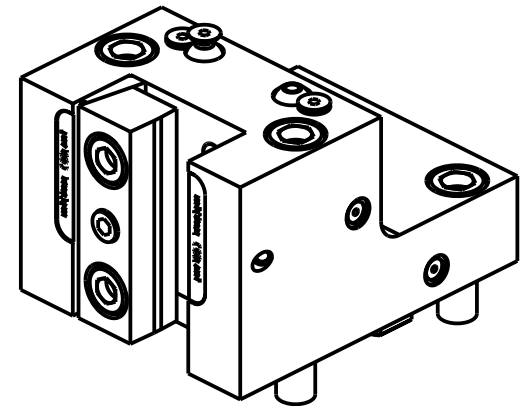
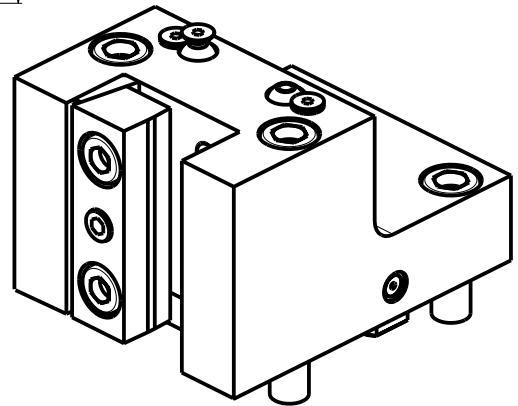


DW 014 22510



Cod. MT	N°Utensili N°Tools N°Werkzeuge	Reversibile lato mandrino/contromandrino Reversible sub/main spindle side Umkehrbare Spindel-seite/ Gegenspindel-seite	Lubrificazione int. Coolant through Innenkuehlung	Lubrificazione est. Ext. coolant Aussenkuehlung	Misure Dimensions Masse	L	B	H
DW04282500	1	X	-	X	mm	81	25	25
DW04282540	1	X	-	X	Inch	81	1"	1"
DW01422510	1	X	P=70bar	X	mm	70	25	25

NEW

EMAG
VL6 - VM9 - VMC450 (BMT65)

PORTAUTENSILE RADIALE SINGOLO QD=25mm / QD=1" H=75mm
Radial single static tool QD=25mm / QD=1" H=75mm
Radial Single-Werkzeughalter QD=25mm / QD=1" H=75mm

M.T. srl
Via Casino Albini 480
Tel. 0541/956034-957884
Fax 0541/956341
47842 S. GIOVANNI IN M. (RN)
e-mail: mtma@mtmarchetti.com
http://www.mtmarchetti.com



EMG423-3-10

Subject to change without notice.

09/2024