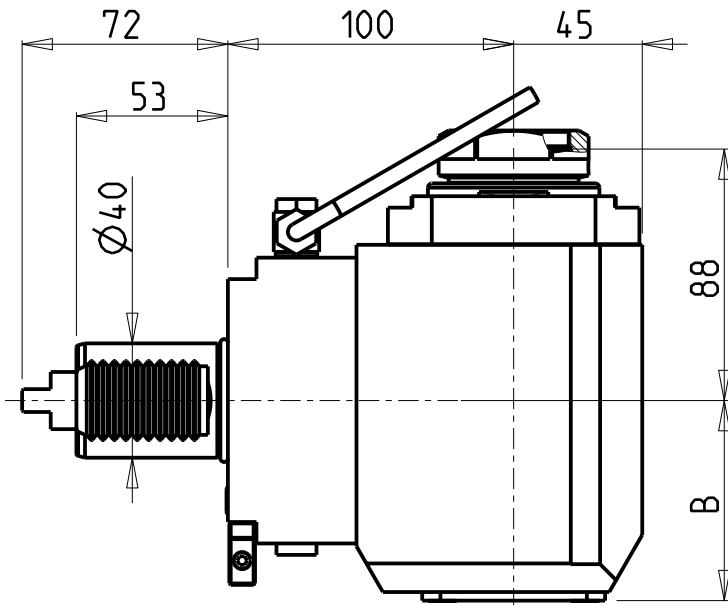
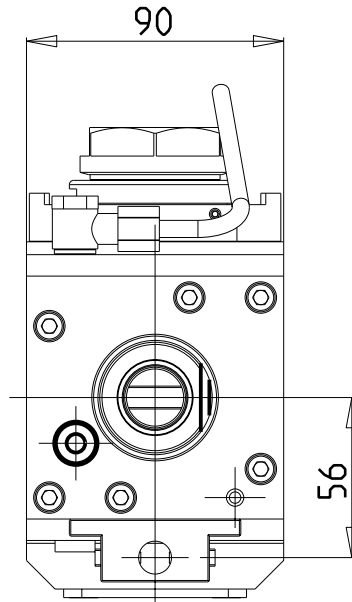


**ATTENZIONE - ATTENTION - ACHTUNG**

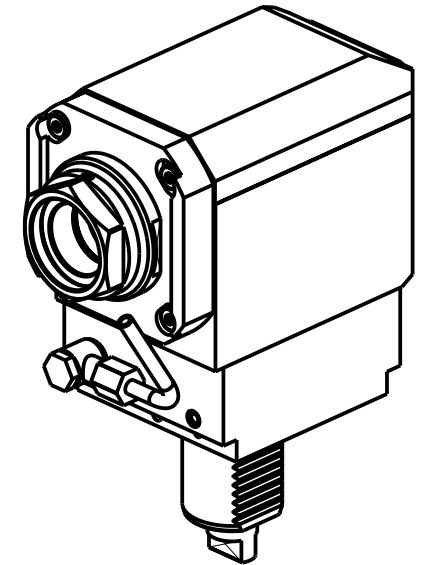
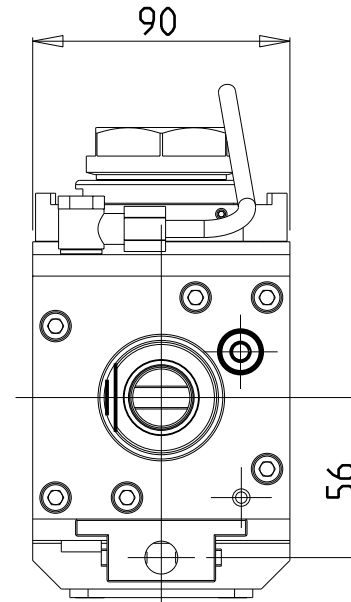
- Per lo smontaggio degli utensili utilizzare sempre la chiave di contrasto come indicato nel manuale d'uso.
- For disassembly of the tools use always the contrast key as mentioned in the user instructions.
- Fuer das Abmontieren der Werkzeuge immer den Gegenschlüssel benutzen wie in der Bedienungsanleitung erwaeht.



versione dx  
right version  
version rechts



versione sx  
left version  
version links



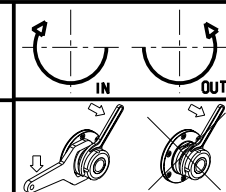
- Chiave inclusa
- Key included
- Schlüssel inbegriffen

PER PORTAUTENSILI MODULARI MTSK-40 VEDI PAG. TBL300-1-40  
FOR MTSK-40 QUIK CHANGE TOOLHOLDERS CLAMPINGS SEE PAGE TBL300-1-40  
FUER MTSK-40 MODULARE WERKZEUGAUFNAHMEN SIEHE SEITE TBL300-1-40

Cod. MT		Mandrino Spindle Spindel	I	RPM	Coppia Max Max Torque Max Drehmoment	Lubrificazione int. Coolant through Innenkuehlung	Lubrificazione est. Ext. coolant Aussenkuehlung	B	CHIAVI NON INCLUSE Keys not included Schlüssel nicht einbegriffen	
versione dx right version version rechts	versione sx left version version links								CHUB46	OKU0430007
FMR0110140	FMR0111140	MTSK-40	1:1	8000	80Nm	-	X	70	CHUB46	OKU0430007
FMR0110240	FMR0111240	MTSK-40	1:1	8000	80Nm	P=70bar	X	82.5	CHUB46	OKU0430007

FAMAR  
VDI 40 DIN1809

MODULO MOTORIZZATO RADIALE MTSK VDI40 H=100mm  
Radial MTSK driven tool VDI40 H=100mm  
Radial MTSK angetriebenes Werkzeug VDI40 H=100mm



**M.T. srl**  
Via Casino Albini 480  
Tel. 0541/956034-957884  
Fax 0541/956341  
47842 S. GIOVANNI IN M. (RN)  
e-mail: mtma@mtmarchetti.com  
http://www.mtmarchetti.com



FMR018-1-00-K

Subject to change without notice.