

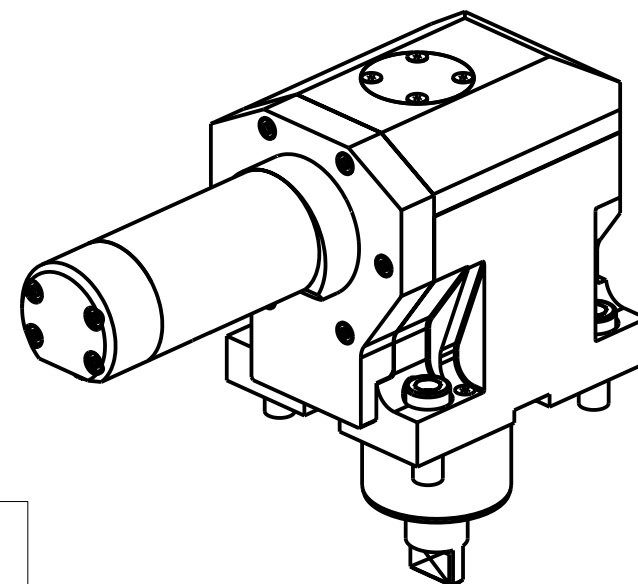
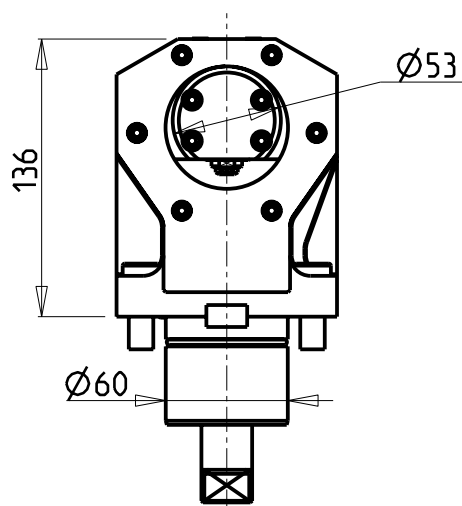
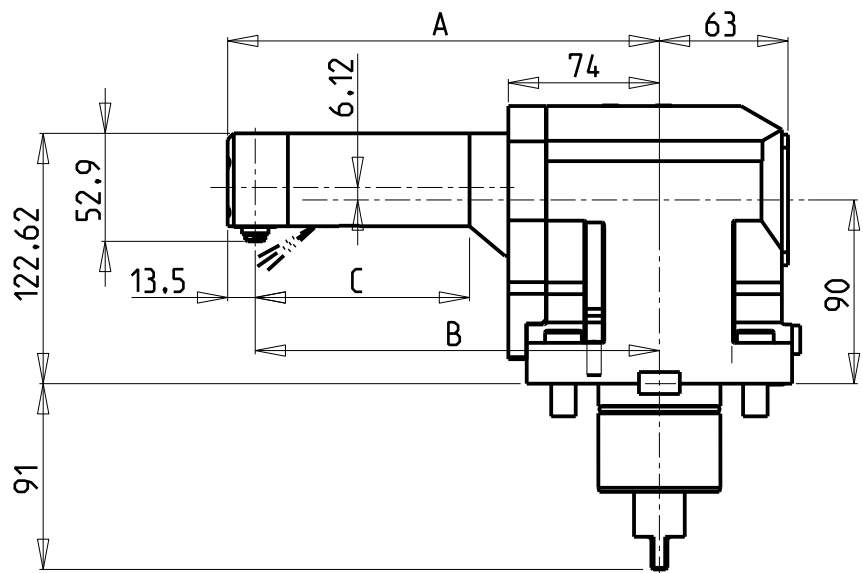
PER LAVORAZIONI INTERNE
SU FORI Ø60 MINIMO

For machining internal
holes with Ø60 min. hole

Fuer interne Bearbeitungen
am Loch minimum Ø60

ATTENZIONE - ATTENTION - ACHTUNG

- Per lo smontaggio degli utensili utilizzare sempre la chiave di contrasto come indicato nel manuale d'uso.
- For disassembly of the tools use always the contrast key as mentioned in the user instructions.
- Fuer das Abmontieren der Werkzeuge immer den Gegenschlüssel benutzen wie in der Bedienungsanleitung erwaeht.



Cod. MT	Mandrino Spindle Spindel	I	RPM	Coppia Max Max Torque Max Drehmoment	Lubrificazione est. Ext. coolant Aussenkuehlung	A	B	C	CHIAVI INCLUSE Keys included Schluessel einbegriffen	
GDW 0501055	CHG	1:1	6000	8Nm	X	161.5	148	55	CHUB13_SP3	CHCHG10
GDW 0501105	CHG	1:1	6000	8Nm	X	211.5	198	105	CHUB13_SP3	CHCHG10
GDW 0501155	CHG	1:1	6000	8Nm	X	261.5	248	155	CHUB13_SP3	CHCHG10

GOODWAY

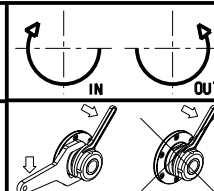
MOD: GS2000/2600/2800/3000/3300/3600/4000 12ST. - GMS2000 12ST.

MODULO MOTORIZZATO RADIALE ROVESCIAIO DISASSATO IN Z

Radial inverted driven tool re-directed in Z

Radial angetriebenes Werkzeug umgedreht achsversetzt in Z

Subject to change without notice.



M.T. srl

Via Casino Albini 480
Tel. 0541/956034-957884
Fax 0541/956341

47842 S. GIOVANNI IN M. (RN)
e-mail: mtma@mtmarchetti.com
http://www.mtmarchetti.com



GDW 120-1-30

09/2024