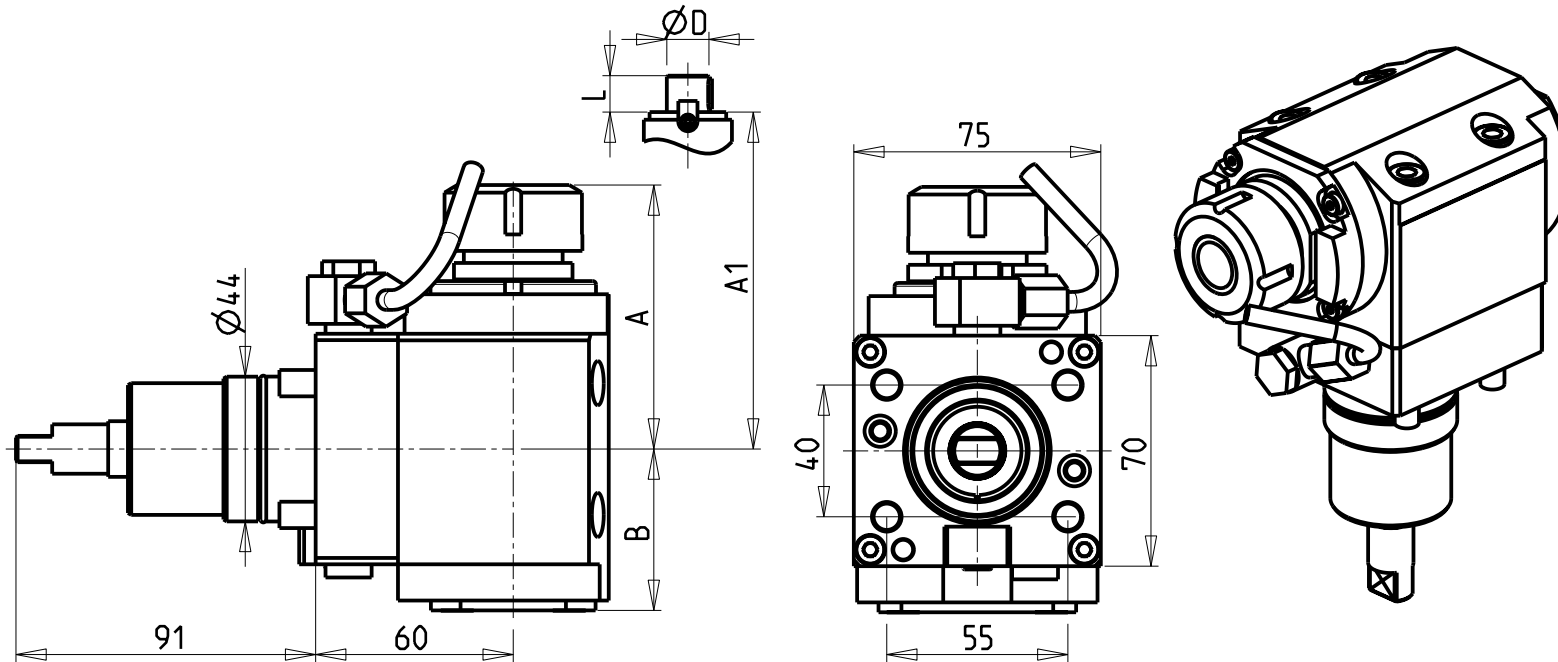


ATTENZIONE - ATTENTION - ACHTUNG

- Per lo smontaggio degli utensili utilizzare sempre la chiave di contrasto come indicato nel manuale d'uso.
- For disassembly of the tools use always the contrast key as mentioned in the user instructions.
- Fuer das Abmontieren der Werkzeuge immer den Gegenschlüssel benutzen wie in der Bedienungsanleitung erwäehnt.



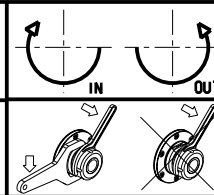
- Chiave inclusa
- Key included
- Schluessel inbegriffen

Cod. MT	Mandrino Spindle Spindel	I	RPM	Coppia Max Max Torque Max Drehmoment	Reversibile lato mandrino/contromandrino Reversible sub/main spindle side Umkehrbare Spindel-seite/ Gegenspindel-seite	Lubr. interna Coolant through Innenkühlung	Lubr. esterna Ext. coolant Aussenkühlung	A	A1	B	D	L	CHIAVI NON INCLUSE Keys not included Schluessel nicht einbegriffen	
NKM0240125	ER25	1:1	6000	35Nm	X	-	X	82.16	-	49	-	-	OKU0290009	CHSTER25
NKM0240225	ER25	1:1	6000	35Nm	X	P=70bar	X	82.16	-	59	-	-	OKU0290009	CHSTER25
NKM0240520	ERA20	1:1	6000	35Nm	X	-	X	69.23	-	49	-	-	OKU0290009	CHUB22
NKM0240620	ERA20	1:1	6000	35Nm	X	P=70bar	X	69.23	-	59	-	-	OKU0290009	CHUB22
NKM0241617	Ø16x17	1:1	6000	35Nm	X	-	X	-	63	49	16	17	CHUB36	CH_VTCROCE_M08
NKM0242219	Ø22x19	1:1	6000	35Nm	X	-	X	-	63	49	22	19	CHUB36	CH_VTCROCE_M10

GOODWAY
MOD: GTZ-1500

MODULO MOTORIZZATO ASSIALE H=60mm
Axial driven tool H=60mm
Axial engetriebenes Werkzeug H=60mm

Subject to change without notice.



M.T. srl
Via Casino Albini 480
Tel. 0541/956034-957884
Fax 0541/956341
47842 S. GIOVANNI IN M. (RN)
e-mail: mtma@mtmarchetti.com
http://www.mtmarchetti.com



GDW 150-6-10