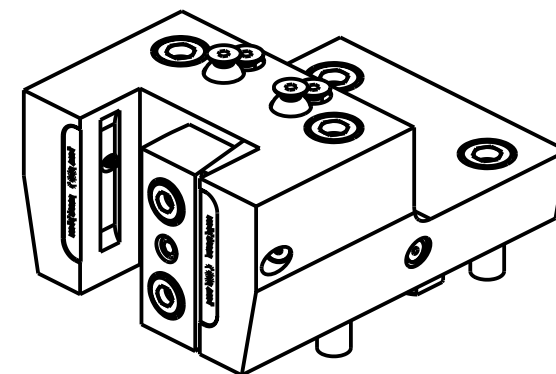
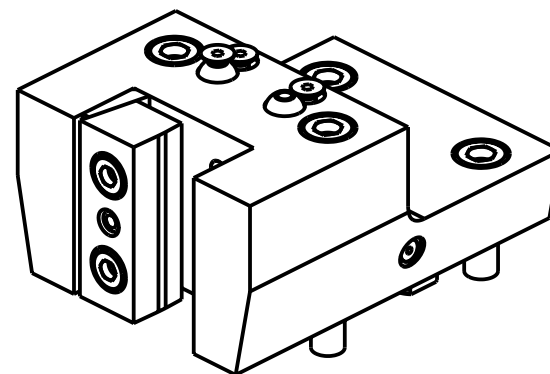


DW 02222510



Cod. MT	N°Utensili N°Tools N°Werkzeuge	Reversibile lato mandrino/contromandrino Reversible sub/main spindle side Umkehrbare Spindel-seite/ Gegenspindel-seite	Lubrificazione int. Coolant through Innenkuehlung	Lubrificazione est. Ext. coolant Aussenkuehlung	Misure Dimensions Masse	A	B	H
DW 03842500	1	X	-	X	mm	76	25	25
DW 03842540	1	X	-	X	Inch	76	1"	1"
DW 02222510	1	X	P=70bar	X	mm	81	25	25

GOODWAY
MOD: GTX2000/2600 16ST. - GTZ2000/2600 16ST.

PORTAUTENSILE RADIALE SINGOLO QD=25mm / QD=1" H=60mm
Radial single static tool QD=25mm / QD=1" H=60mm
Radial Single-Werkzeughalter QD=25mm / QD=1" H=60mm

M.T. srl
Via Casino Albini 480
Tel. 0541/956034-957884
Fax 0541/956341
47842 S. GIOVANNI IN M. (RN)
e-mail: mtma@mtmarchetti.com
http://www.mtmarchetti.com



GDW 423-3-00

Subject to change without notice.

09/2024