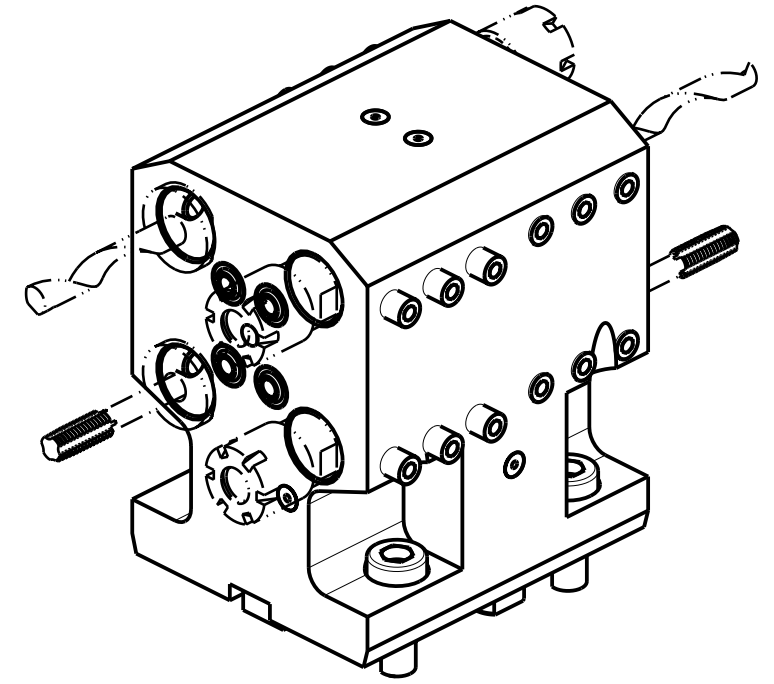


**DOTAZIONI - SUPPLIED WITH - AUSSTATTUNG**

<b>mm</b>	N*5 Boccole - Bushings - Buchsen $\varnothing 16-12-10-8-6$ N*1 ER16 Portapinza - Collet holder - Zangenhalter N*1 ER25 Portapinza - Collet holder - Zangenhalter
<b>inch</b>	N*3 Boccole - Bushings - Buchsen $\varnothing 1/2"-3/8"-1/4"$ N*1 ER16 Portapinza - Collet holder - Zangenhalter N*1 ER25 Portapinza - Collet holder - Zangenhalter



Cod. MT	N°Utensili N°Tools N°Werkzeuge	Lubrificazione est. Ext. coolant Aussenkuehlung	Reversibile lato mandrino/contromandrino Reversible sub/main spindle side Umkehrbare Spindel-seite/ Gegenspindel-seite	Misure Dimensions Masse	D	H
0782000	4+4	X	X	mm	20	48
0781905	4+4	X	X	Inch	3/4"	1 7/8"

**GOODWAY**

MOD: GTX2000/2600 16ST. - GTZ2000/2600 16ST.

PORTAUTENSILE ASSIALE PER BARENO 4+4 POSIZIONI  $\varnothing 20\text{mm}$  /  $\varnothing 3/4"$

Axial 4+4 position boring bar holder  $\varnothing 20\text{mm}$  /  $\varnothing 3/4"$

Axial Bohrhalter 4+4 Positionen  $\varnothing 20\text{mm}$  /  $\varnothing 3/4"$

Subject to change without notice.

**M.T. srl**  
Via Casino Albini 480  
Tel. 0541/956034-957884  
Fax 0541/956341  
47842 S. GIOVANNI IN M. (RN)  
e-mail: mtma@mtmarchetti.com  
<http://www.mtmarchetti.com>



GDW 924-3-00