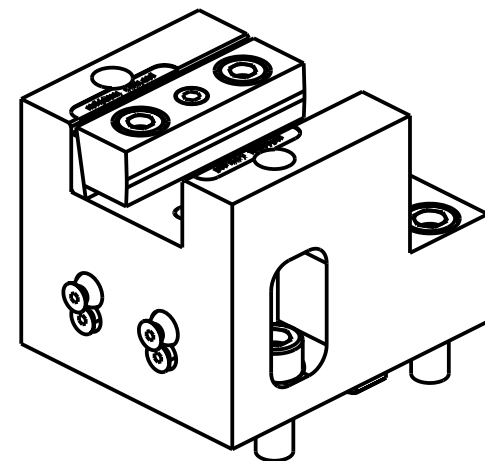
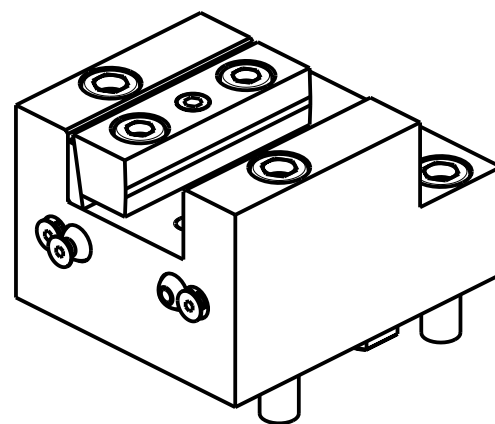


DW 03462510



| Cod. MT     | N°Utensili<br>N°Tools<br>N°Werkzeuge | Reversibile lato<br>mandrino/contromandrino<br>Reversible sub/main<br>spindle side<br>Umkehrbare Spindel-seite/<br>Gegenspindel-seite | Lubrificazione int.<br>Coolant through<br>Innenkuehlung | Lubrificazione est.<br>Ext. coolant<br>Aussenkuehlung | Misure<br>Dimensions<br>Masse | A  | B  | H  |
|-------------|--------------------------------------|---------------------------------------------------------------------------------------------------------------------------------------|---------------------------------------------------------|-------------------------------------------------------|-------------------------------|----|----|----|
| DW 01452500 | 1                                    | X                                                                                                                                     | -                                                       | X                                                     | mm                            | 68 | 25 | 25 |
| DW 01452540 | 1                                    | X                                                                                                                                     | -                                                       | X                                                     | Inch                          | 68 | 1" | 1" |
| DW 03462510 | 1                                    | X                                                                                                                                     | P=70bar                                                 | X                                                     | mm                            | 90 | 25 | 25 |

HAAS

MOD: ST20/25/28/30/35 (BMT65) - DS30 (BMT65)

PORTAUTENSILE ASSIALE SINGOLO QD=25mm / QD=1"

Axial single static tool QD=25mm / QD=1"

Axial Single-Werkzeughalter QD=25mm / QD=1"

Subject to change without notice.

**M.T. srl**

Via Casino Albini 480  
Tel. 0541/956034-957884  
Fax 0541/956341

47842 S. GIOVANNI IN M. (RN)  
e-mail: mtma@mtmarchetti.com  
http://www.mtmarchetti.com



HAS552-4-00

09/2024