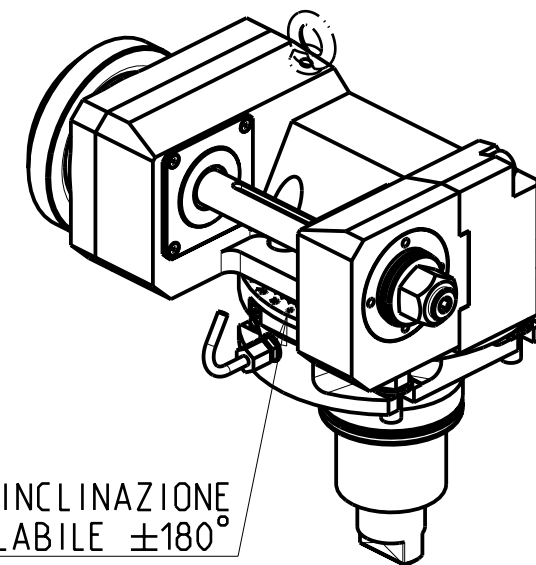


| D (mm) | ØMAX (mm) |
|-----------|--------------|
| 22 | 89 |
| 27-32 | 100 |



INCLINAZIONE
REGOLABILE ±180°

-LA FUNZIONE DI POLIGONATURA/DENTATURA DEVE ESSERE INSTALLATA SULLA MACCHINA
-POLYGON CUTTING/GEAR HOBBING FUNCTION MUST BE INSTALLED ON THE MACHINE
-DIE FUNKTION FÜR POLYGON-BZW.VERZÄHNUNGSFRÄSEN MUSS AUF DER MASCHINE FREIGESCHALTET WERDEN

PER ALBERI E DISTANZIALI VEDI PAG. TBL250-1-00
FOR SHAFT END SPACER SEE PAGE TBL250-1-00
FUER DORN UND ABSTANDSSTUECK SEITE TBL250-1-00

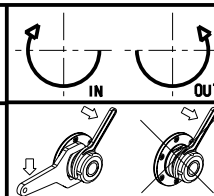
DOTAZIONI - SUPPLIED WITH - AUSSTATTUNG

- | mm / inch | |
|-----------|-----------------------------|
| | - N°1 ALBERO + DISTANZIALI |
| | - N°1 SHAFT + SPACER |
| | - N°1 DORN + ABSTANDSSTUECK |

| Cod. MT | i | RPM max | Coppia Max Max Torque Max Drehmoment | Lubrificazione est. Ext. coolant Aussenkuehlung | D (mm) | CHIAVI INCLUSE Keys included Schlüssel inbegriffen | | | |
|-------------|-----|------------|--|---|-----------|--|---------|---------|--------|
| | | | | | | CHUB30 | CHESL08 | CHESL10 | CHUB19 |
| DW 00851100 | 1:1 | 3000 | 110Nm | X | 22-27-32 | CHUB30 | CHESL08 | CHESL10 | CHUB19 |
| DW 00852100 | 2:1 | 1500 | 130Nm | X | 22-27-32 | CHUB30 | CHESL08 | CHESL10 | CHUB19 |

HW ACHEON
VT950/1150 - HI-TECH 750

MODULO MOTORIZZATO PORTACREATORE (TAGLIA GRANDE)
Driven gear hobber (big size)
Angetriebenes Zahnradwaeltzraes-Werkzeug (grosse version)



M.T. srl
Via Casino Albini 480
Tel. 0541/956034-957884
Fax 0541/956341
47842 S. GIOVANNI IN M. (RN)
e-mail: mtma@mtmarchetti.com
http://www.mtmarchetti.com



HW C 340-4-80

Subject to change without notice.

09/2024