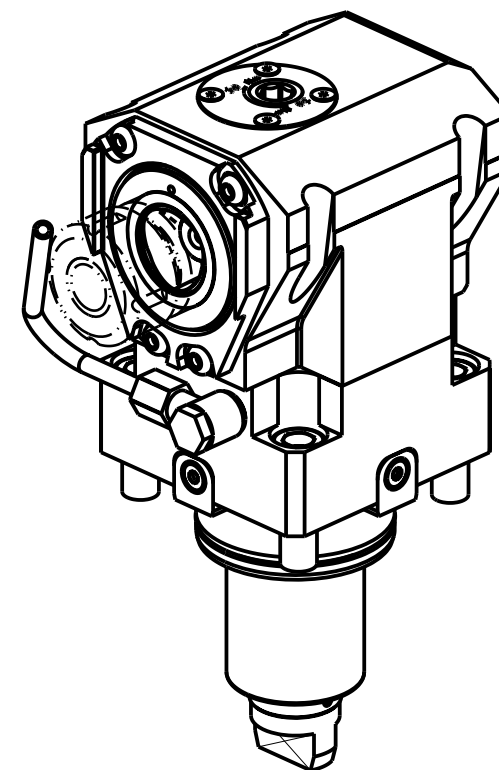
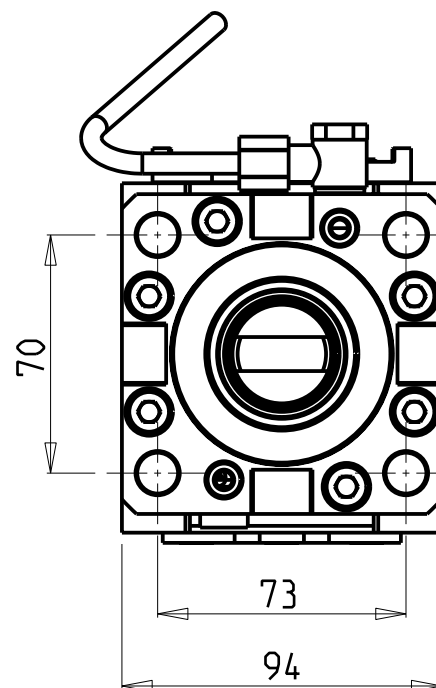
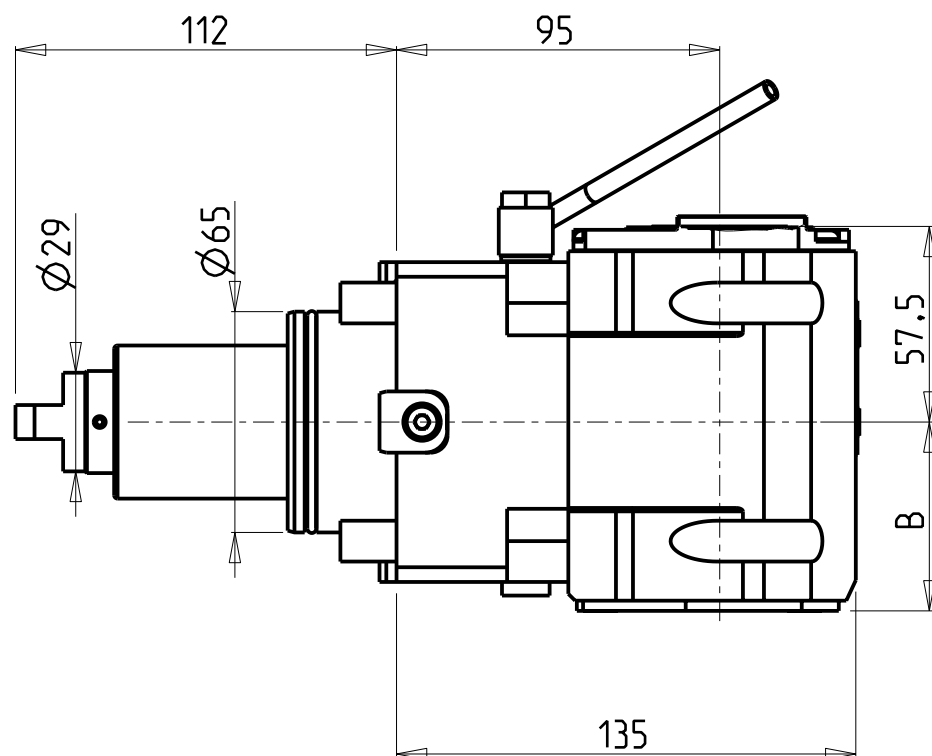


### ATTENZIONE - ATTENTION - ACHTUNG

- VERIFICARE LE MISURE DI INGOMBRO PER POSSIBILE INTERFERENZA SU ALCUNI MODELLI DI MACCHINE
- Please check the overall sizes for possible interferences on some machine models
- Bitte überprüfen sie das ausmass um mögliche interferenzen auf einigen maschinen modellen zu vermeiden



| Cod. MT    | TAGLIA<br>Size<br>Masse | I   | RPM  | Coppia Max<br>Max Torque<br>Max Drehmoment | Reversibile lato<br>mandrino/contromandrino<br>Reversible sub/main<br>spindle side<br>Umkehrbare Spindel-seite/<br>Gegenspindel-seite | Lubr.interna<br>Coolant through<br>Innenkuehlung | Lubr.esterna<br>Ext. coolant<br>Aussenkuehlung | B    |
|------------|-------------------------|-----|------|--|---|--|--|------|
| DW03120140 | C4                      | 1:1 | 6000 | 100Nm                                      | X   | -  | X  | 55.5 |
| DW03120240 | C4                      | 1:1 | 6000 | 100Nm                                      | X   | P=70bar  | X  | 66.5 |

#### HYUNDAI-WIA (KIA)

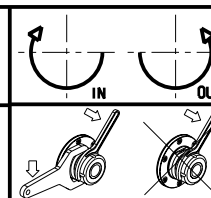
SKT200TTM/TTMS/TTSY - LM2000TTM/TTMS/TTSY - L2000/2600/3000Y/SY - L300M/LM/MS/LMS  
 SKT250TTM/TTMS/TTSY - LM2500TTM/TTMS/TTSY - SKT250M/LM/MS - SKT300M/LM/MS - SKT-V3RM/LM - LV450RM/LM - HD2600/3100 (BMT65)

MODULO MOTORIZZATO ASSIALE MT CAPTO H=95mm

Axial driven tool MT CAPTO H=95mm

Axial angetriebenes Werkzeug MT CAPTO H=95mm

Subject to change without notice.



#### M.T. srl

Via Casino Albini 480  
 Tel. 0541/956034-957884  
 Fax 0541/956341  
 47842 S. GIOVANNI IN M. (RN)  
 e-mail: mtma@mtmarchetti.com  
 http://www.mtmarchetti.com



KIA150-C-42