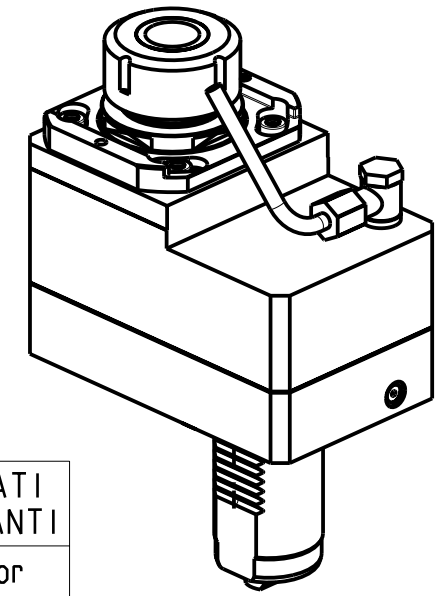


CUSCINETTI MAGGIORATI  
PER LAVORAZIONI PESANTI

Reinforced bearings for  
heavy machining

Vergroesserte Lager fuer  
schwerere Bearbeitungen

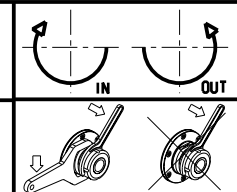


- Chiave inclusa
- Key included
- Schluessel inbegriffen

Cod. MT	Mandrino Spindle Spindel	I	RPM	Coppia Max Max Torque Max Drehmoment	Lubrificazione int. Coolant through Innenkuhlung	Lubrificazione est. Ext. coolant Aussenkuhlung	A	A1	D	L	CHIAVI NON INCLUSE Keys not included Schluessel nicht einbegriffen	
MZK0231225	ER25	2:1	3000	80Nm	-	X	125.6	-	-	-	OKU0650004	CHSTER25
MZK0232425	ER25	2:1	3000	80Nm	P=70bar	X	125.6	-	-	-	OKU0650004	CHSTER25
MZK0231232	ER32	2:1	3000	80Nm	-	X	128.6	-	-	-	OKU0650004	CHSTER32
MZK0232432	ER32	2:1	3000	80Nm	P=70bar	X	128.6	-	-	-	OKU0650004	CHSTER32
MZK0231216	Ø16x17	2:1	3000	80Nm	-	X	-	102	16	17	OKU0650004	CH_VTCROCE_M08
MZK0231222	Ø22x19	2:1	3000	80Nm	-	X	-	104	22	19	OKU0650004	CH_VTCROCE_M10
MZK0231227	Ø27x21	2:1	3000	80Nm	-	X	-	106	27	21	OKU0650004	CH_VTCROCE_M12

**MAZAK**  
 MULTIPLEX 420-620-625-6200-6250 12 STAZIONI / HYPER QUADREX 200-250MSY 12 STAZIONI  
 MULTIPLEX 8200 (TORRETTA SUP. 12 STAZIONI) - MULTIPLEX W-200 12 STAZIONI

MODULO MOTORIZZATO RADIALE MAGGIORATO RIDOTTO I=2:1 DISASSATO IN Z 50mm  
 Radial reinforced geared-down I=2:1 driven tool re-directed in Z by 50mm  
 Radial angetriebenes Werkzeug vergroessert unterersetzt I=2:1 achsversetzt in Z um 50mm



**M.T. srl**  
 Via Casino Albini 480  
 Tel. 0541/956034-957884  
 Fax 0541/956341  
 47842 S. GIOVANNI IN M. (RN)  
 e-mail: mtma@mtmarchetti.com  
 http://www.mtmarchetti.com



MZK031-3-20

Subject to change without notice.