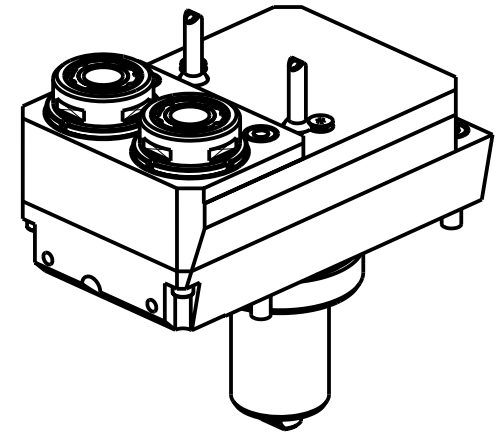


**ATTENZIONE - ATTENTION - ACHTUNG**

- Per lo smontaggio degli utensili utilizzare sempre la chiave di contrasto come indicato nel manuale d'uso.
- For disassembly of the tools use always the contrast key as mentioned in the user instructions.
- Fuer das Abmontieren der Werkzeuge immer den Gegenschlüssel benutzen wie in der Bedienungsanleitung erwaeht.



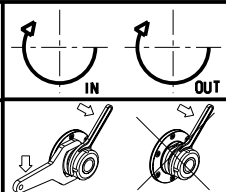
- Chiave inclusa
- Key included
- Schluessel inbegriffen

Cod. MT	Mandrino Spindle Spindel	I	RPM	Coppia Max Max Torque Max Drehmoment	Lubrificazione int. Coolant through Innenkuehlung	Lubrificazione est. Ext. coolant Aussenkuehlung	CHIAVI INCLUSE Keys included Schluessel inbegriffen		
MZK1290325	ERA25	1:2	12000	40Nm	-	X	CHTAER25ZC	CHUB27	CHUB38
MZK1290425	ERA25	1:2	12000	40Nm	P=70bar	X	CHTAER25ZC	CHUB27	CHUB38

**MAZAK**

MOD: QUICK TURN SMART 100M/150M/200M/250M - QT 100/200/250M 12ST. - QT 200/250M 16ST.  
QTC100/200/300M - QTE100/200/300M - QTU 200/250/350M - QT-Ez 8/10/12M

MODULO MOTORIZZATO RADIALE 2 USCITE IN Y Moltiplicato I=1:2  
Radial geared-up I=1:2 twin head driven tool in Y  
Radial angetriebenes Werkzeug 2 Ausgaenge in Y uebersetzt I=1:2



**M.T. srl**  
Via Casino Albini 480  
Tel. 0541/956034-957884  
Fax 0541/956341  
47842 S. GIOVANNI IN M. (RN)  
e-mail: mtma@mtmarchetti.com  
http://www.mtmarchetti.com



**MZK080-7-20**

Subject to change without notice.

09/2024