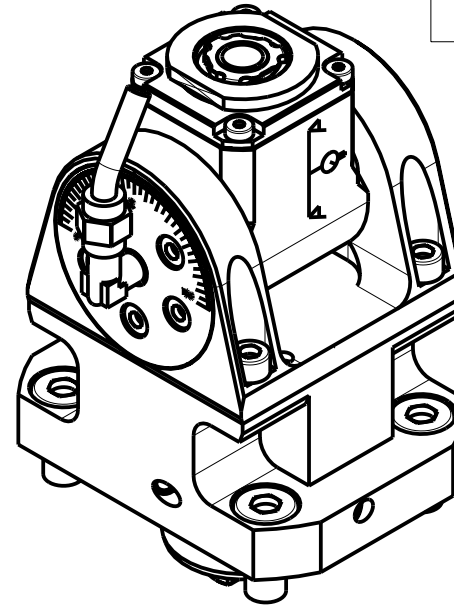
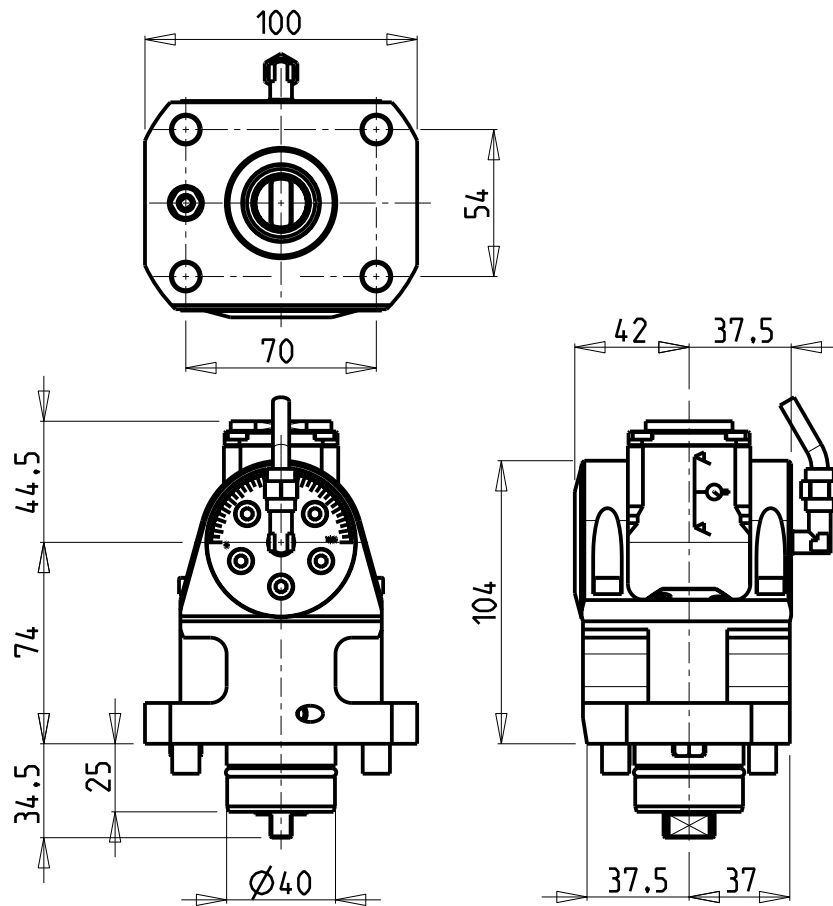


ATTENZIONE - ATTENTION - ACHTUNG

- Con l'utensile orientato a 0° o 180°, non è possibile eseguire lavorazioni a centro-pezzo!
- It is not possible to make machining operations at the center of the part with tool oriented at 0° or at 180°
- Mit einem Werkzeug um 0° oder 180° orientiert, ist es nicht möglich, Verarbeitung von der Werkzeug-Mitte auszuführen.

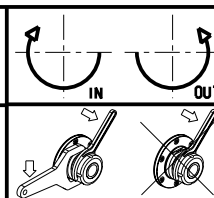


Cod. MT	Mandrino Spindle Spindel	I	RPM	Coppia Max Max Torque Max Drehmoment	Lubrificazione int. Coolant through Innenkuehlung	Lubrificazione est. Ext. coolant Aussenkuehlung	CHIAVI INCLUSE Keys included Schlüssel inbegriffen			
							CHUB19_SP3	CHUB32	CHESL07	CHTAER16ZC
MUR0060116	ER A 16	1:1	6000	20Nm	-	X	CHUB19_SP3	CHUB32	CHESL07	CHTAER16ZC
MUR0060216	ER A 16	1:1	6000	20Nm	P=70bar	X	CHUB19_SP3	CHUB32	CHESL07	CHTAER16ZC

MURATEC
MOD: MD60 - MD120

MODULO MOTORIZZATO ORIENTABILE ±90° H=74mm
±90° adjustable angle driven tool H=74mm
Angetriebenes Werkzeug schwenkbar ±90° H=74mm

Subject to change without notice.



M.T. srl
Via Casino Albini 480
Tel. 0541/956034-957884
Fax 0541/956341
47842 S. GIOVANNI IN M. (RN)
e-mail: mtma@mtmarchetti.com
http://www.mtmarchetti.com



MUR335-2-00