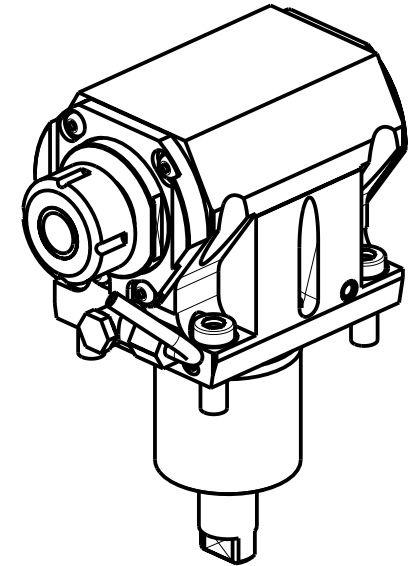
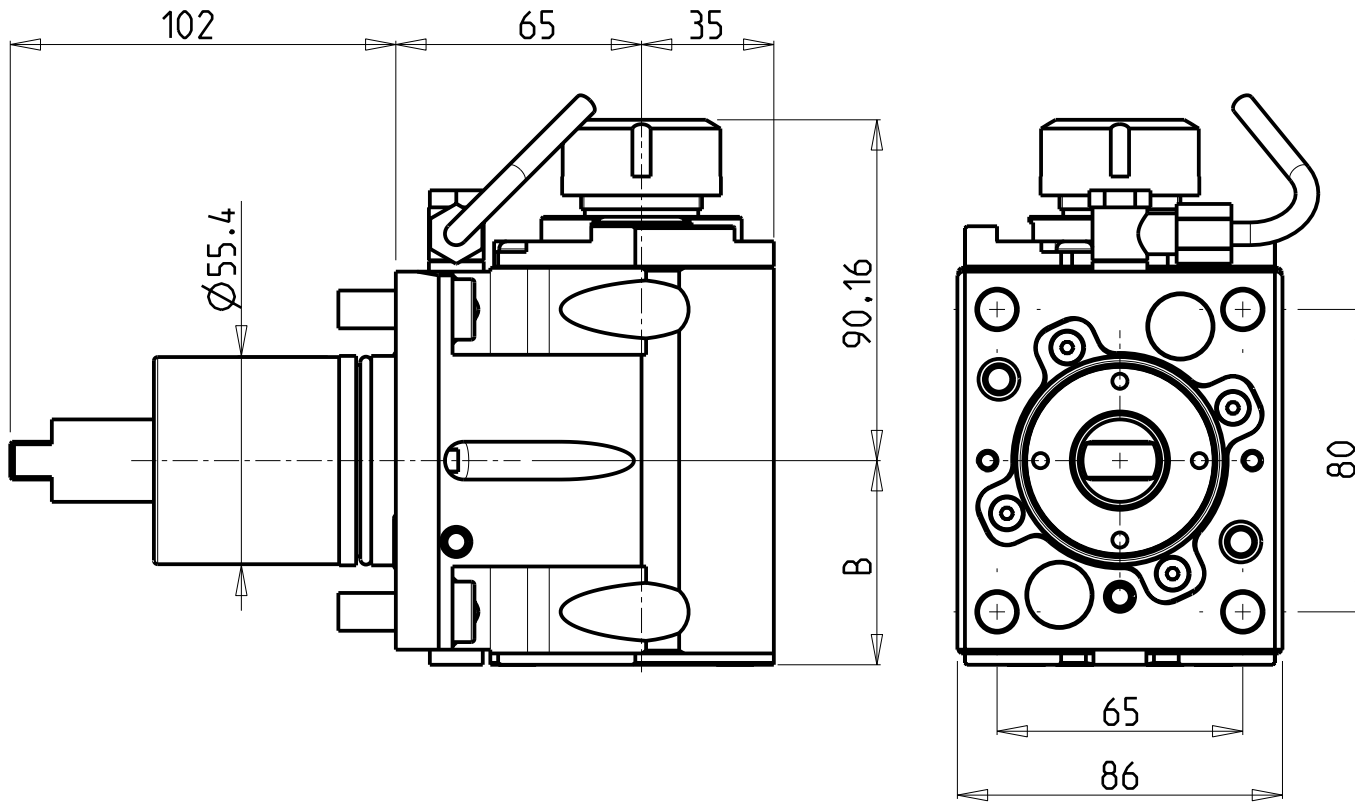


**ATTENZIONE - ATTENTION - ACHTUNG**

- Per lo smontaggio degli utensili utilizzare sempre la chiave di contrasto come indicato nel manuale d'uso.
- For disassembly of the tools use always the contrast key as mentioned in the user instructions.
- Fuer das Abmontieren der Werkzeuge immer den Gegenschlüssel benutzen wie in der Bedienungsanleitung erwaeht.



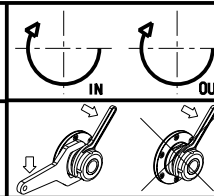
- Chiave inclusa
- Key included
- Schluessel inbegriffen

| Cod. MT    | Mandrino Spindle Spindel | I   | RPM  | Coppia Max Max Torque Max Drehmoment | Reversibile lato mandrino/contromandrino Reversible sub/main spindle side Umkehrbare Spindel-seite/Gegenspindel-seite | Lubr.interna Coolant through Innenkuehlung | Lubr.esterna Ext. coolant Aussenkuehlung | B  | CHIAVI NON INCLUDE<br>Keys not included<br>Schluessel nicht einbegriffen |              |
|------------|--------------------------|-----|------|--------------------------------------|---|--|--|----|--|--------------|
| OKU0670125 | ER25                     | 1:1 | 6000 | 40Nm                                 | X   |  | X  | 54 | CHSTER25   | OKU0650004 • |
| OKU0670225 | ER25                     | 1:1 | 6000 | 40Nm                                 | X   | P=70bar                                    | X  | 65 | CHSTER25   | OKU0650004 • |

OKUMA  
MOD: LT2000EX 16ST.

MODULO MOTORIZZATO ASSIALE  
Axial driven tool  
Axial angetriebenes Werkzeug

Subject to change without notice.



**M.T. srl**  
Via Casino Albini 480  
Tel. 0541/956034-957884  
Fax 0541/956341  
47842 S. GIOVANNI IN M. (RN)  
e-mail: mtma@mtmarchetti.com  
http://www.mtmarchetti.com



OKU150-6-10