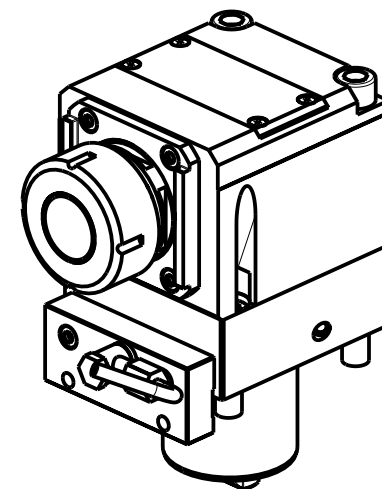


ATTENZIONE - ATTENTION - ACHTUNG

- Per lo smontaggio degli utensili utilizzare sempre la chiave di contrasto come indicato nel manuale d'uso.
- For disassembly of the tools use always the contrast key as mentioned in the user instructions.
- Fuer das Abmontieren der Werkzeuge immer den Gegenschlüssel benutzen wie in der Bedienungsanleitung erwaeht.



Cod. MT	Mandrino Spindle Spindel	I	RPM	Coppia Max Max Torque Max Drehmoment	Reversibile lato mandrino/contromandrino Reversible sub/main spindle side Umkehrbare Spindel-seite/ Gegenspindel-seite	Lubrificazione int. Coolant through Innenkuehlung	Lubrificazione est. Ext. coolant Aussenkuehlung	A	B	CHIAVI NON INCLUSE Keys not included Schlüssel nicht einbegriffen	
OKU0480132	ER32	2:1	3000	90Nm	X	-	X	98.7	53	CHSTER32	OKU0650004
OKU0480232	ER32	2:1	3000	90Nm	X	P=70bar	X	98.7	64	CHSTER32	OKU0650004
OKU0480140	ER40	2:1	3000	90Nm	X	-	X	101.7	53	CHSTER40	OKU0650004
OKU0480240	ER40	2:1	3000	90Nm	X	P=70bar	X	101.7	64	CHSTER40	OKU0650004

- Chiave inclusa
- Key included
- Schlüssel inbegriffen

OKUMA

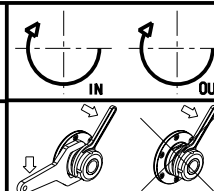
MOD: LB4000EX(I) - LB4000EX(II) - LU4000EX

MODULO MOTORIZZATO ASSIALE RIDOTTO I=2:1

Axial geared-down I=2:1 driven tool

Axial angetriebenes Werkzeug untersetzt I=2:1

Subject to change without notice.



M.T. srl

Via Casino Albini 480
Tel. 0541/956034-957884
Fax 0541/956341
47842 S. GIOVANNI IN M. (RN)
e-mail: mtma@mtmarchetti.com
http://www.mtmarchetti.com



OKU190-5-10