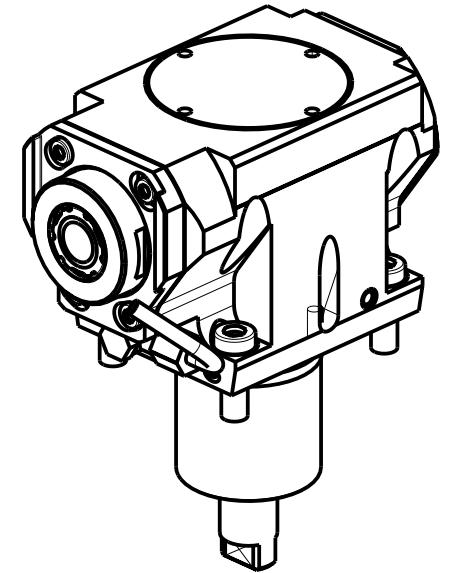


- Chiave inclusa
- Key included
- Schlüssel inbegriffen

**ATTENZIONE - ATTENTION - ACHTUNG**

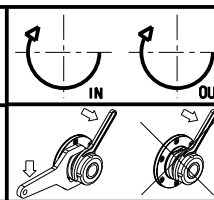
- Per lo smontaggio degli utensili utilizzare sempre la chiave di contrasto come indicato nel manuale d'uso.
- For disassembly of the tools use always the contrast key as mentioned in the user instructions.
- Fuer das Abmontieren der Werkzeuge immer den Gegenschlüssel benutzen wie in der Bedienungsanleitung erwaeht.



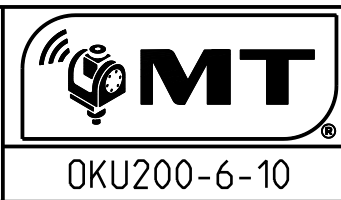
| Cod. MT    | Mandrino Spindle Spindel | I   | RPM   | Coppia Max Max Torque Max Drehmoment | Reversibile lato mandrino/contromandrino Reversible sub/main spindle side Umkehrbare Spindel-seite/ Gegenspindel-seite | Lubrificazione int. Coolant through Innenkuehlung | Lubrificazione est. Ext. coolant Aussenkuehlung | B    | CHIAVI NON INCLUSE<br>Keys not included<br>Schlüssel nicht inbegriffen |            |            |
|------------|--------------------------|-----|-------|--------------------------------------|--|---|---|------|--|------------|------------|
| OKU1000125 | ERA25                    | 1:2 | 12000 | 30Nm                                 | X  |   | X   | 60.5 | CHUB27   | CHTAER25ZC | OKU0650004 |
| OKU1000225 | ERA25                    | 1:2 | 12000 | 30Nm                                 | X  | P=70bar   | X   | 71.5 | CHUB27   | CHTAER25ZC | OKU0650004 |

OKUMA  
MOD: LT2000EX 16ST.

MODULO MOTORIZZATO ASSIALE MOLTIPLICATO I=1:2  
Axial geared-up I=1:2 driven tool  
Axial angetriebenes Werkzeug uebersetzt I=1:2



**M.T. srl**  
Via Casino Albini 480  
Tel. 0541/956034-957884  
Fax 0541/956341  
47842 S. GIOVANNI IN M. (RN)  
e-mail: mtma@mtmarchetti.com  
http://www.mtmarchetti.com



Subject to change without notice.

09/2024