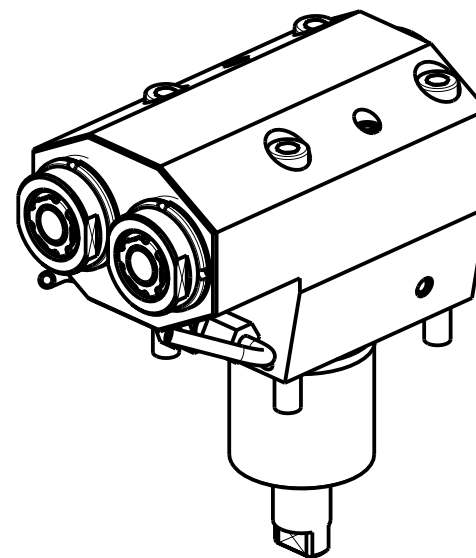


### ATTENZIONE - ATTENTION - ACHTUNG

- Per lo smontaggio degli utensili utilizzare sempre la chiave di contrasto come indicato nel manuale d'uso.
- For disassembly of the tools use always the contrast key as mentioned in the user instructions.
- Fuer das Abmontieren der Werkzeuge immer den Gegenschlüssel benutzen wie in der Bedienungsanleitung erwäehnt.



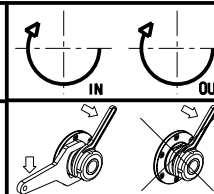
- Chiave inclusa
- Key included
- Schluessel inbegriffen

| Cod. MT    | Mandrino<br>Spindle<br>Spindel | I   | RPM  | Coppia Max<br>Max Torque<br>Max Drehmoment | Reversibile lato<br>mandrino/contromandrino<br>Reversible sub/main<br>spindle side<br>Umkehrbare Spindel-seite/<br>Gegenspindel-seite | Lubr.interna<br>Coolant through<br>Innenkuehlung | Lub. Esterna<br>Ext. coolant<br>Aussenkuehlung | A     | CHIAVI NON INCLUSE<br>Keys not included<br>Schluessel nicht einbegriffen |        |            |
|------------|--------------------------------|-----|------|--|---|--|--|-------|--|--------|------------|
|            |                                |     |      |  |   |  |  |       | CHUB22   | CHUB36 | CHTAER20ZC |
| OKU1010120 | ERA20                          | 1:1 | 6000 | 30Nm                                       | X   |  | X  | 109.5 | CHUB22   | CHUB36 | CHTAER20ZC |
| OKU1010220 | ERA20                          | 1:1 | 6000 | 30Nm                                       | X   | P=70bar  | X  | 118   | CHUB22   | CHUB36 | CHTAER20ZC |

OKUMA  
MOD: LT2000EX 16ST.

MODULO MOTORIZZATO ASSIALE 2 USCITE IN Y  
Axial single side twin head driven tool in Y  
Axial angetriebenes Werkzeug 2 Ausgange in Y

Subject to change without notice.



**M.T. srl**  
Via Casino Albini 480  
Tel. 0541/956034-957884  
Fax 0541/956341  
47842 S. GIOVANNI IN M. (RN)  
e-mail: mtma@mtmarchetti.com  
http://www.mtmarchetti.com



OKU260-6-10