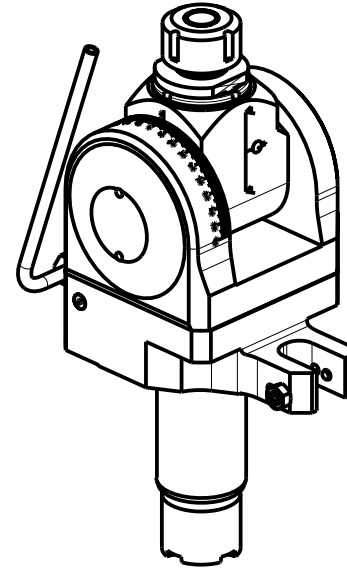
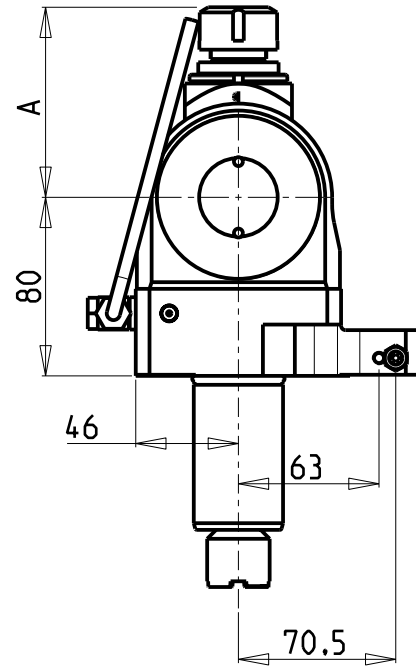
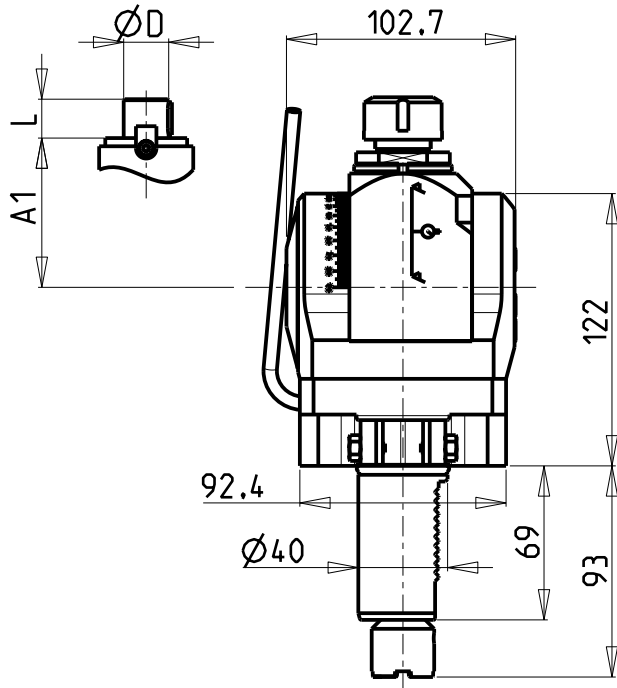
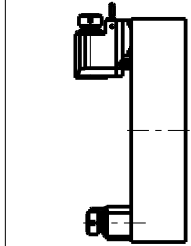


ATTENZIONE - ATTENTION - ACHTUNG

- Per lo smontaggio degli utensili utilizzare sempre la chiave di contrasto come indicato nel manuale d'uso.
- For disassembly of the tools use always the contrast key as mentioned in the user instructions.
- Fuer das Abmontieren der Werkzeuge immer den Gegenschlüssel benutzen wie in der Bedienungsanleitung erwaeht.

**TORRETTE ASSIALI
AXIAL TURRETS
AXIAL REVOLVER**



Cod. MT	Mandrino Spindle Spindel	I	RPM	Coppia Max Max Torque Max Drehmoment	Lubrificazione est. Ext. coolant Aussenkuehlung	A	A1	D	L	CHIAVI INCLUSE Keys included Schluessel inbegriffen	
OKU1510120	ER20	1:1	4000	40Nm	X	85.16	-	-	-	CHUB36	CHSTER20
OKU1510125	ER25	1:1	4000	40Nm	X	86.16	-	-	-	CHUB36	CHSTER25
OKU1510516	Ø16x17	1:1	4000	40Nm	X	-	65	16	17	CHUB36	CH_VTCROCE_M08
OKU1510522	Ø22x19	1:1	4000	40Nm	X	-	65	22	19	CHUB36	CH_VTCROCE_M10
OKU1510519	Ø3/4"x3/4"	1:1	4000	40Nm	X	-	65	3/4"	3/4"	CHUB36	CH_VTCROCE_M08

OKUMA

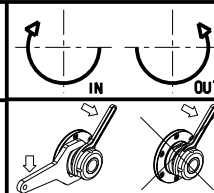
MOD: LB15/300 - LT15/300 - LR15 - LU15M - LU300M - GENOS L300M - GENOS L3000e M/MY (VDI40) - ES L10M

MODULO MOTORIZZATO ORIENTABILE ±90° VDI40

±90° adjustable angle driven tool VDI40

Angetriebenes Werkzeug schwenkbar ±90° VDI40

Subject to change without notice.



M.T. srl

Via Casino Albini 480
Tel. 0541/956034-957884
Fax 0541/956341

47842 S. GIOVANNI IN M. (RN)
e-mail: mtma@mtmarchetti.com
http://www.mtmarchetti.com



OKU333-2-00