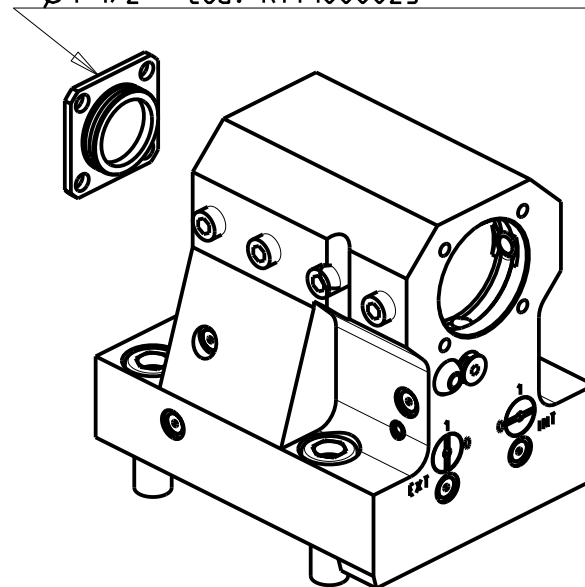


KIT ADDUZIONE INTERNA (OPZIONALE)
 KIT FOR INTERNAL COOLANT (OPTIONAL)
 KIT FUER INTERNE KUEHLMITTELZUFUHR (OPTIONAL)
 Ø40 cod. KIT1000019
 Ø1 1/2" cod. KIT1000023



PER BOCCOLE DI RIDUZIONE VEDI PAG. TBL150-1-00
 FOR REDUCING BUSHINGS SEE PAGE TBL150-1-00
 FÜR REDUZIERBUCHSE SIEHE SEITE TBL150-1-00

| Cod. MT | N°Utensili N° Tools N° Werkzeuge | Reversibile lato mandrino/contromandrino Reversible sub/main spindle side Umkehrbare Spindel-seite/ Gegenspindel-seite | Lubrificazione int. opzionale Coolant through optional Innenkuehlung Optional | Lubrificazione est. Ext. coolant Aussenkuehlung | Misure Dimensions Masse | D |
|------------|--|---|--|---|-------------------------------|--------|
| OKU0554000 | 1 | X | X | X | mm | 40 |
| OKU0553810 | 1 | X | X | X | Inch | 1 1/2" |

OKUMA

MOD: LB4000EX(I) - LB4000EX(II) - LU4000EX

PORTAUTENSILE ASSIALE PER BARENO Ø40mm / Ø1 1/2" H=90mm

Axial single boring bar holder Ø40mm / Ø1 1/2" H=90mm

Axial Bohrhälter Ø40mm / Ø1 1/2" H=90mm

Subject to change without notice.

M.T. srl

Via Casino Albini 480
 Tel. 0541/956034-957884
 Fax 0541/956341

47842 S. GIOVANNI IN M. (RN)
 e-mail: mtma@mtmarchetti.com
 http://www.mtmarchetti.com



OKU630-5-10

09/2024