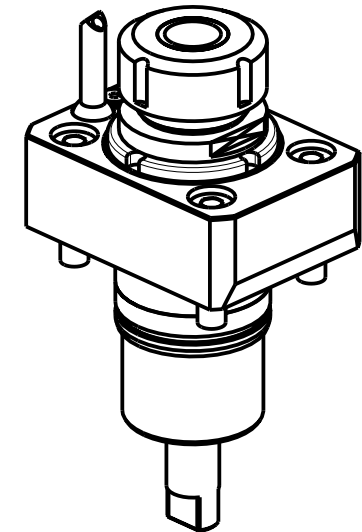
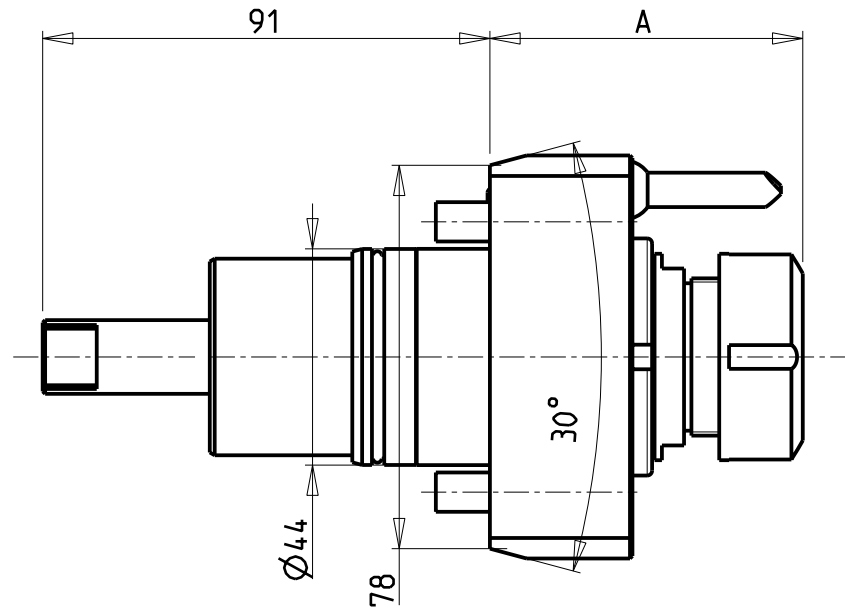
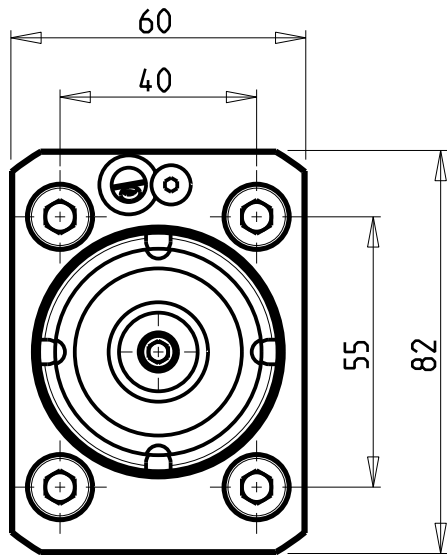


CUSCINETTI MAGGIORATI PER LAVORAZIONI PESANTI

Reinforced bearings for
heavy machining

Vergroesserte Lager fuer
schwerere Bearbeitungen



Cod. MT	Mandrino Spindle Spindel	I	RPM	Coppia Max Max Torque Max Drehmoment	Lubrificazione int. Coolant through Innenkuehlung	Lubrificazione est. Ext. coolant Aussenkuehlung	A	CHIAVI NON INCLUSE Keys not included Schluessel nicht einbegriffen		
NKM2330320	ERA20	1:1	12000	35Nm	-	X	50.7	OKU0290009	CHUB22	NEW
NKM2330420	ERA20	1:1	12000	35Nm	P=70bar	X	58	OKU0290009	CHUB22	NEW
NKM2330125	ER25	1:1	12000	35Nm	-	X	62.7	OKU0290009	CHSTER25	NEW
NKM2330225	ER25	1:1	12000	35Nm	P=70bar	X	69.7	OKU0290009	CHSTER25	NEW

- Chiave inclusa
- Key included
- Schluessel inbegriffen

NAKAMURA-TOME

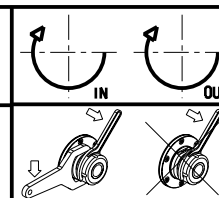
MOD: WT100 - WY100 - WY10011 12ST. - WY100V 12ST. - SUPER NTY3 - NTY3-100 12ST. - SUPER NTMX - SUPER NTMXL
MX-5 - NTJ100 - SC100 - SC100X² - MX100

MODULO MOTORIZZATO RADIALE MAGGIORATO 12000 RPM

Radial reinforced driven tool 12000 rpm

Radial angetriebenes Werkzeug vergroessert 12000 rpm

Subject to change without notice.



M.T. srl

Via Casino Albini 480
Tel. 0541/956034-957884
Fax 0541/956341
47842 S. GIOVANNI IN M. (RN)
e-mail: mtma@mtmarchetti.com
http://www.mtmarchetti.com



NKM020-1-01