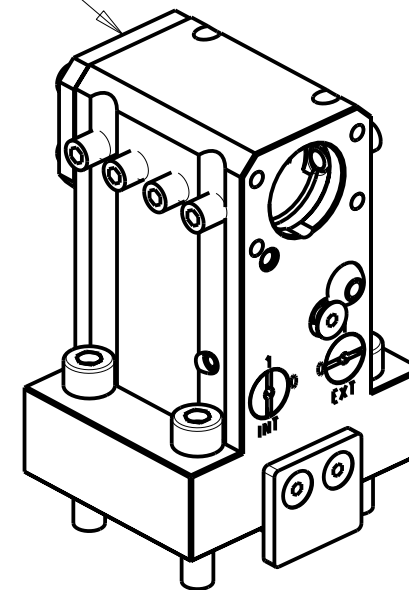


KIT ADDUZIONE INTERNA (OPZIONALE)  
 KIT FOR INTERNAL COOLANT (OPTIONAL)  
 KIT FUER INTERNE KUEHLMITTELZUFUHR (OPTIONAL)  
 Ø25-Ø1" cod. KIT1000017



Cod. MT	N°Utensili N°Tools N°Werkzeuge	Reversibile lato mandrino/contromandrino Reversible sub/main spindle side Umkehrbare Spindel-seite/ Gegenspindel-seite	Lubrificazione int. opzionale Coolant through optional Innenkuehlung Optional	Lubrificazione est. Ext. coolant Aussenkuehlung	Misure Dimensions Masse	D
NKM0722500	1	X	X	X	mm	25
NKM0722540	1	X	X	X	Inch	1"

NAKAMURA-TOME

MOD: SUPER NTMX - SUPER NTMXL - MX-5 - MX100

PORTAUTENSILE ASSIALE PER BARENO Ø25mm / Ø1" H=92.5mm

Axial single boring bar holder Ø25mm / Ø1" H=92.5mm

Axial Bohrhalter Ø25mm / Ø1" H=92.5mm

Subject to change without notice.

**M.T. srl**

Via Casino Albini 480  
 Tel. 0541/956034-957884  
 Fax 0541/956341

47842 S. GIOVANNI IN M. (RN)  
 e-mail: mtma@mtmarchetti.com  
 http://www.mtmarchetti.com



NKM685-1-10

09/2024