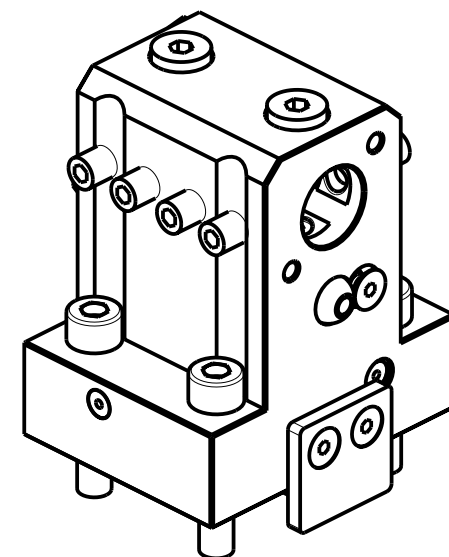


KIT ADDUZIONE INTERNA (OPZIONALE)  
 KIT FOR INTERNAL COOLANT (OPTIONAL)  
 KIT FUER INTERNE KUEHLMITTELZUFUHR (OPTIONAL)  
 cod. KIT1000015



Cod. MT	N°Utensili N°Tools N°Werkzeuge	Reversibile lato mandrino/contromandrino Reversible sub/main spindle side Umkehrbare Spindel-seite/ Gegenspindel-seite	Lubrificazione int. opzionale Coolant through optional Innenkuehlung Optional	Lubrificazione est. Ext. coolant Aussenkuehlung	Misure Dimensions Masse	D
NKM0112550	1	X	X	X	mm	20

**NAKAMURA-TOME**

MOD: WT100 - WY100 - WY100II 12ST. - WY100V 12ST. - SUPER NTY3 - NTY3-100 12ST. - NTJ100 - SC100 - SC100X<sup>2</sup>

PORTAUTENSILE ASSIALE PER BARENO Ø20mm H=70mm

Axial single boring bar holder Ø20mm H=70mm

Axial Bohrhälter Ø20mm H=70mm

Subject to change without notice.

**M.T. srl**  
 Via Casino Albini 480  
 Tel. 0541/956034-957884  
 Fax 0541/956341  
 47842 S. GIOVANNI IN M. (RN)  
 e-mail: mtma@mtmarchetti.com  
 http://www.mtmarchetti.com



NKM690-1-10