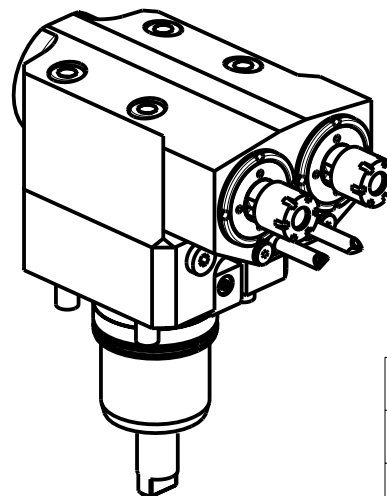


### ATTENZIONE - ATTENTION - ACHTUNG

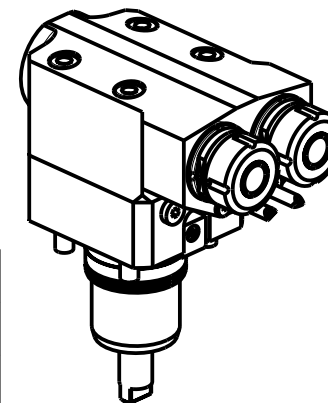
- VERIFICARE LE MISURE DI INGOMBRO PER POSSIBILE INTERFERENZA SU ALCUNI MODELLI DI MACCHINE
- Please check the overall sizes for possible interferences on some machine models
- Bitte überprüfen sie das ausmass um mögliche interferenzen auf einigen maschinen modellen zu vermeiden

### ATTENZIONE - ATTENTION - ACHTUNG

- Per lo smontaggio degli utensili utilizzare sempre la chiave di contrasto come indicato nel manuale d'uso.
- For disassembly of the tools use always the contrast key as mentioned in the user instructions.
- Fuer das Abmontieren der Werkzeuge immer den Gegenschlüssel benutzen wie in der Bedienungsanleitung erwaeht.



NKM0131225



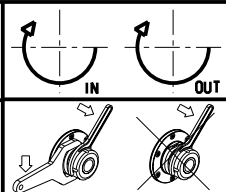
- Chiave inclusa
- Key included
- Schlüssel inbegriffen

Cod. MT	Mandrino Spindel Spindel	I	RPM	Coppia Max Max Torque Max Drehmoment	Reversibile lato mandrino/contromandrino Reversible sub/main spindle side Umkehrbare Spindel-seite/ Gegenspindel-seite	Lubrificazione int. Coolant through Innenkuehlung	Lubrificazione est. Ext. coolant Aussenkuehlung	A	H	CHIAVI NON INCLUSE Keys not included Schlüssel nicht einbegriffen	
NKM0131216	ER16	1:1	6000	30Nm	X	-	X	115.15	102	CHUB17	CHMNER16
NKM0131520	ERA20	1:1	6000	30Nm	X	P=70bar	X	116.15	107	MNLO210007	CHUB22 CHTAER20ZC*
NKM0131225	ER25	1:1	6000	30Nm	X	-	X	115.61	102	MNLO210007	CHSTER25
NKM0131425	ER25	1:1	6000	30Nm	X	P=70bar	X	128.11	107	MNLO210007	CHSTER25

### NAKAMURA-TOME

WT250 - WT15011/25011 - WTW150 - WTS150 - SC150/200/250 - SC20011 12/16 ST. - SC30011 16ST. - JX200/250 SUPER NTJX - NTY3 150/250 - WY 150/250 - AS200MY 15ST.

MODULO MOTORIZZATO ASSIALE 2 USCITE IN Y H=75mm  
Axial single side twin head driven tool in Y H=75mm  
Axial angetriebenes Werkzeug 2 Ausgaenge in Y H=75mm



**M.T. srl**  
Via Casino Albini 480  
Tel. 0541/956034-957884  
Fax 0541/956341  
47842 S. GIOVANNI IN M. (RN)  
e-mail: mtma@mtmarchetti.com  
http://www.mtmarchetti.com



NKM260-2-20

Subject to change without notice.