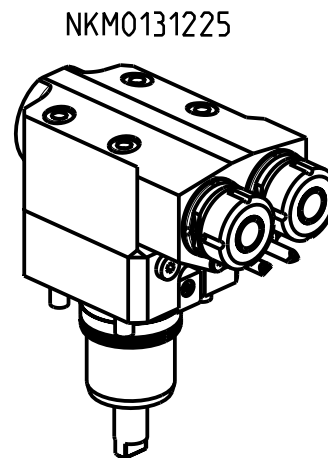
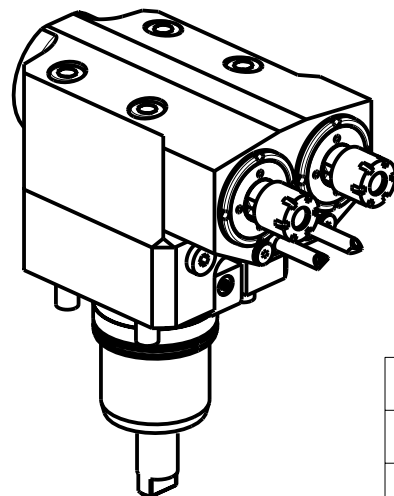


ATTENZIONE - ATTENTION - ACHTUNG

- VERIFICARE LE MISURE DI INGOMBRO PER POSSIBILE INTERFERENZA SU ALCUNI MODELLI DI MACCHINE
- Please check the overall sizes for possible interferences on some machine models
- Bitte überprüfen sie das ausmass um mögliche interferenzen auf einigen maschinen modellen zu vermeiden

ATTENZIONE - ATTENTION - ACHTUNG

- Per lo smontaggio degli utensili utilizzare sempre la chiave di contrasto come indicato nel manuale d'uso.
- For disassembly of the tools use always the contrast key as mentioned in the user instructions.
- Fuer das Abmontieren der Werkzeuge immer den Gegenschlüssel benutzen wie in der Bedienungsanleitung erwaeht.



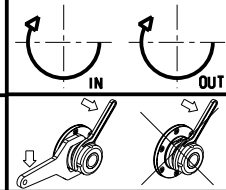
- Chiave inclusa
- Key included
- Schlüssel inbegriffen

Cod. MT	Mandrino Spindle Spindel	I	RPM	Coppia Max Max Torque Max Drehmoment	Reversibile lato mandrino/contromandrino Reversible sub/main spindle side Umkehrbare Spindel-seite/ Gegenspindel-seite	Lubrificazione int. Coolant through Innenkuehlung	Lubrificazione est. Ext. coolant Aussenkuehlung	A	H	CHIAVI NON INCLUSE Keys not included Schlüssel nicht einbegriffen			
NKM2491216	ER16	1:1	12000	30Nm	X	-	X	115.15	102	CHUB17	CHMNER16	NEW	
NKM2491520	ERA20	1:1	12000	30Nm	X	P=70bar	X	116.15	107	MNL0210007	CHUB22	CHTAER20ZC *	NEW
NKM2491225	ER25	1:1	12000	30Nm	X	-	X	115.61	102	MNL0210007	CHSTER25	NEW	
NKM2491425	ER25	1:1	12000	30Nm	X	P=70bar	X	128.11	107	MNL0210007	CHSTER25	NEW	

NAKAMURA-TOME

WT250 - WT15011/25011 - WTW150 - WTS150 - SC150/200/250 - SC20011 12/16 ST. - SC30011 16ST. - JX200/250 SUPER NTJX - NTY3 150/250 - WY 150/250 - AS200MY 15ST.

MODULO MOTORIZZATO ASSIALE 2 USCITE 12000 RPM IN Y H=75mm
 Axial single side twin head driven tool in Y 12000 rpm H=75mm
 Axial angetriebenes Werkzeug 2 Ausgaenge in Y 12000 rpm H=75mm



M.T. srl

Via Casino Albini 480
 Tel. 0541/956034-957884
 Fax 0541/956341
 47842 S. GIOVANNI IN M. (RN)
 e-mail: mtma@mtmarchetti.com
 http://www.mtmarchetti.com



NKM260-2-21

Subject to change without notice.

10/2024