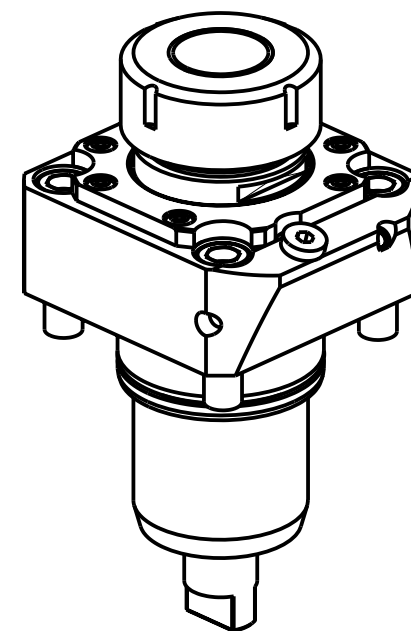
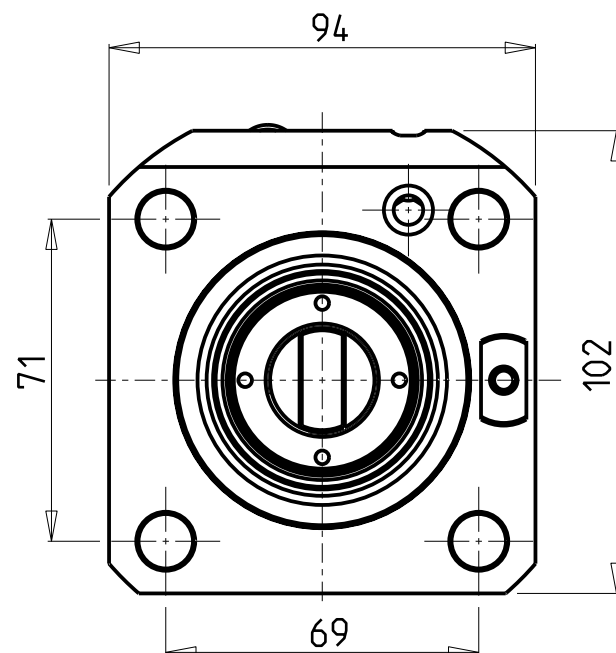
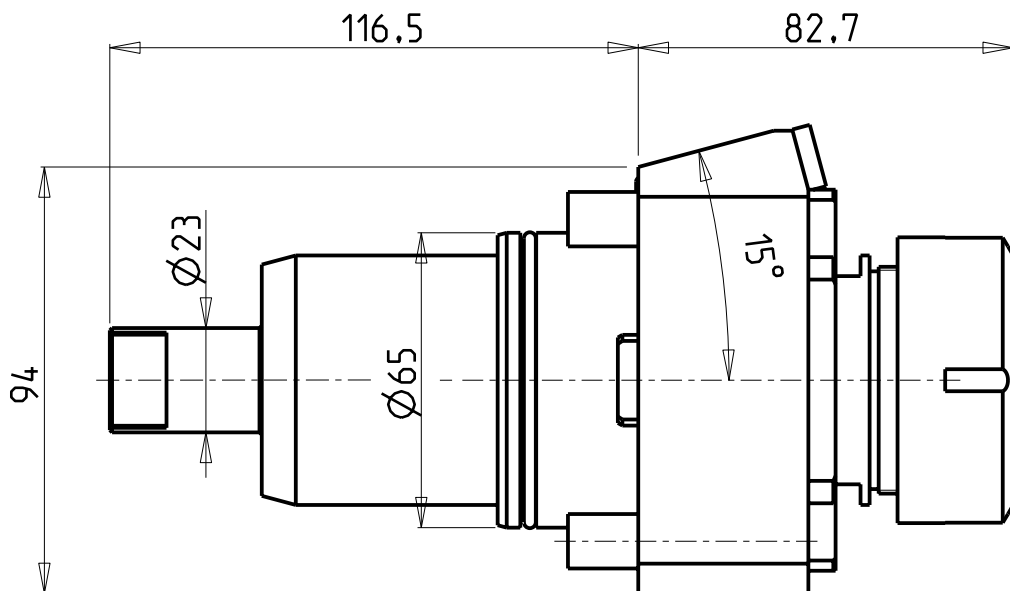


### CUSCINETTI MAGGIORATI PER LAVORAZIONI PESANTI

Reinforced bearings for  
heavy machining

Vergroesserte lager fuer  
schwerere Bearbeitungen



Cod. MT	Mandrino Spindle Spindel	I	RPM	Coppia Max Max Torque Max Drehmoment	Lubrificazione int. Coolant through Innenkueltung	Lubrificazione est. Ext. coolant Aussenkueltung	CHIAVI NON INCLUSE Keys not included Schluessel nicht einbegriffen	
NKM1480240	ER40	1:1	6000	80Nm	P=30bar	X	CHUB46	CHSTER40

#### NAKAMURA-TOME

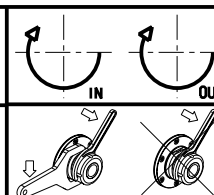
WT300 - SC300 - SC300II 12ST. - TMC200/300M - SUPER NTX - SUPER NTXL - TW20M/MY/MM/MMY/MYY 12ST.

#### MODULO MOTORIZZATO RADIALE MAGGIORATO

Radial reinforced driven tool

Radial angetriebenes Werkzeug vergroessert

Subject to change without notice.



#### M.T. srl

Via Casino Albini 480  
Tel. 0541/956034-957884  
Fax 0541/956341  
47842 S. GIOVANNI IN M. (RN)  
e-mail: mtma@mtmarchetti.com  
http://www.mtmarchetti.com



NKM020-3-00