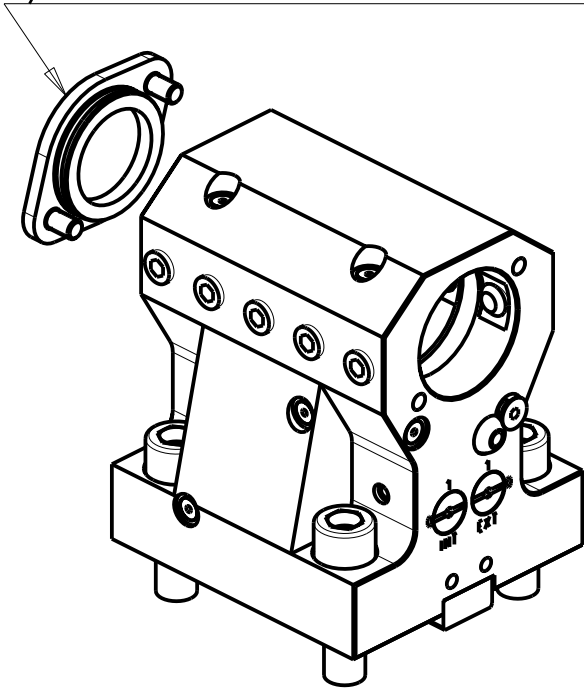


KIT ADDUZIONE INTERNA (OPZIONALE)  
 KIT FOR INTERNAL COOLANT (OPTIONAL)  
 KIT FUER INTERNE KUEHLMITTELZUFUHR (OPTIONAL)  
 Ø40 cod. KIT1000018  
 Ø32 cod. KIT1000001



PER BOCCOLE DI RIDUZIONE VEDI PAG. TBL150-1-00  
 FOR REDUCING BUSHINGS SEE PAGE TBL150-1-00  
 FÜR REDUZIERBUCHSE SIEHE SEITE TBL150-1-00

Cod. MT	N°Utensili N°Tools N°Werkzeuge	Reversibile lato mandrino/contromandrino Reversible sub/main spindle side Umkehrbare Spindel-seite/ Gegenspindel-seite	Lubrificazione int. opzionale Coolant through optional Innenkuehlung Optional	Lubrificazione est. Ext. coolant Aussenkuehlung	D
NKM0544000	1	X	X	X	40
NKM0543200	1	X	X	X	32

**NAKAMURA-TOME**  
 WT300 - SC300 - SC30011 12ST. - TMC200/300M - SUPER NTX - SUPER NTXL - TW20M/MY/MM/MMY/MYY 12ST.  
 TW30M/MY/MM/MMY/MYY 16ST.

PORTAUTENSILE ASSIALE PER BARENO Ø40mm / Ø32mm H=90mm  
 Axial single boring bar holder Ø40mm / Ø32mm H=90mm  
 Axial Bohrhälter Ø40mm / Ø32mm H=90mm

**M.T. srl**  
 Via Casino Albini 480  
 Tel. 0541/956034-957884  
 Fax 0541/956341  
 47842 S. GIOVANNI IN M. (RN)  
 e-mail: mtma@mtmarchetti.com  
 http://www.mtmarchetti.com



NKM630-3-10

Subject to change without notice.

09/2024