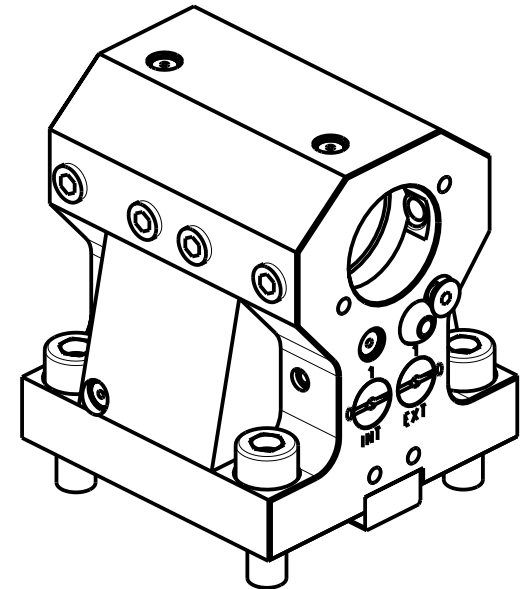


KIT ADDUZIONE INTERNA (OPZIONALE)
 KIT FOR INTERNAL COOLANT (OPTIONAL)
 KIT FUER INTERNE KUEHLMITTELZUFUHR (OPTIONAL)
 Ø32-Ø1 1/4" cod. KIT1000001
 Ø40 cod. KIT1000018
 Ø1 1/2" cod. KIT1000021



Cod. MT	N°Utensili N°Tools N°Werkzeuge	Reversibile lato mandrino/contromandrino Reversible sub/main spindle side Umkehrbare Spindel-seite/ Gegenspindel-seite	Lubrificazione int. opzionale Coolant through optional Innenkuehlung Optional	Lubrificazione est. Ext. coolant Aussenkuehlung	Ø
NKM0303200	1	X	X	X	32
NKM0304000	1	X	X	X	40
NKM0303810	1	X	X	X	1 1/2"

PER BOCCOLE DI RIDUZIONE VEDI PAG. TBL150-1-00
 FOR REDUCING BUSHINGS SEE PAGE TBL150-1-00
 FÜR REDUZIERBUCHSE SIEHE SEITE TBL150-1-00

NAKAMURA-TOME
 MOD: Super Mill WT150/WT15011/WY250/SC200L - SUPER NTY3 JUMBO
 PORTAUTENSILE ASSIALE PER BARENO Ø32mm / Ø40mm / Ø1 1/2" H=75mm
 Axial single boring bar holder Ø32mm / Ø40mm / Ø1 1/2" H=75mm
 Axial Bohrhälter Ø32mm / Ø40mm / Ø1 1/2" H=75mm



M.T. srl
 Via Casino Albini 480
 Tel. 0541/956034-957884
 Fax 0541/956341
 47842 S. GIOVANNI IN M. (RN)
 e-mail: mtma@mtmarchetti.com
 http://www.mtmarchetti.com



NKM650-4-10

Subject to change without notice.