



CapJet™

**FITS
NPT & BSPT
PIPE
NIPPLES**

**RATED
TO
150 PSI
(10 BAR)**

**New metric tapped
balls allow use with
Extension Tubes and
Spray Tips.**



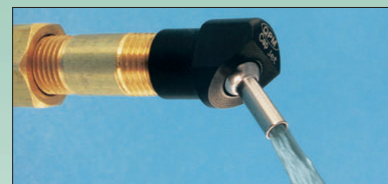
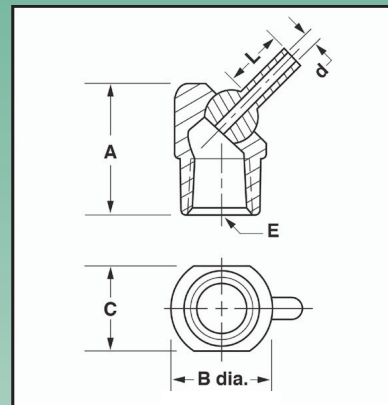
UNIVERSAL CAP-TYPE COOLANT NOZZLE

- Screws onto any NPT or BSPT pipe nipple just like a pipe cap
- Same great features as the TurretJet, except with female pipe thread
- Ideal for high production, dedicated machine tools with rigid coolant piping
 - Choose orifice size and nozzle extension to suit your application
 - Choose short extensions for tight spaces and where stringy swarf is a problem
 - Long extensions make aiming a breeze and shoot farther
- Choose larger orifices for maximum flow ■ Choose smaller orifices when using multiple nozzles
- Choose tapped ball if you need to quickly plug the orifice (setscrew included) or to use with

Extension Tubes (page 17) or **Spray Tips** (page 16)

DIMENSIONS IN INCHES (except as noted)

Part No.	Thread Size "E"	Orifice Dia. "d"	Extension "L"	A	B	C	Pkg Qty
CJ07510	1/8 NPT/BSPT	.11	0	.82	.63	.50	5
CJ07512	1/8 NPT/BSPT	.11	.25	.82	.63	.50	5
CJ07513	1/8 NPT/BSPT	.11	.50	.82	.63	.50	5
CJ07514	1/8 NPT/BSPT	.11	1.25	.82	.63	.50	5
CJ07516	1/8 NPT/BSPT	.16	0	.82	.63	.50	5
CJ07518	1/8 NPT/BSPT	.16	.50	.82	.63	.50	5
CJ07520	1/8 NPT/BSPT	.16	1.25	.82	.63	.50	5
CJ07523	1/8 NPT/BSPT	M5 x .8	0	.82	.63	.50	5
CJ07524	1/4 NPT/BSPT	.11	0	.94	.75	.63	5
CJ07526	1/4 NPT/BSPT	.11	.25	.94	.75	.63	5
CJ07527	1/4 NPT/BSPT	.11	.50	.94	.75	.63	5
CJ07528	1/4 NPT/BSPT	.11	1.25	.94	.75	.63	5
CJ07530	1/4 NPT/BSPT	.16	0	.94	.75	.63	5
CJ07532	1/4 NPT/BSPT	.16	.50	.94	.75	.63	5
CJ07534	1/4 NPT/BSPT	.16	1.25	.94	.75	.63	5
CJ07537	1/4 NPT/BSPT	M5 x .8	0	.94	.75	.63	5
CJ07560	3/8 NPT/BSPT	.11	0	1.13	.88	.75	5
CJ07538	3/8 NPT/BSPT	.16	0	1.13	.88	.75	5
CJ07540	3/8 NPT/BSPT	.16	.50	1.13	.88	.75	5
CJ07542	3/8 NPT/BSPT	.16	1.25	1.13	.88	.75	5
CJ07544	3/8 NPT/BSPT	.22	0	1.13	.88	.75	5
CJ07546	3/8 NPT/BSPT	.22	.50	1.13	.88	.75	5
CJ07548	3/8 NPT/BSPT	.22	1.25	1.13	.88	.75	5
CJ07552	3/8 NPT/BSPT	M6 x 1.0	0	1.13	.88	.75	5



CapJet shown installed on end of threaded pipe.

Material: Body: Acetal
Ball & Extension: Stainless Steel
Maximum Pressure: 150 PSI (10 bar)
Maximum Operating Temperature: 160°F (70°C)