

Reduction bushes



The reduction bushes with flanges allow boring bars or drills with a cylindrical shaft or clamp cone to be fixed to the tool holders of numerically controlled machine tools.

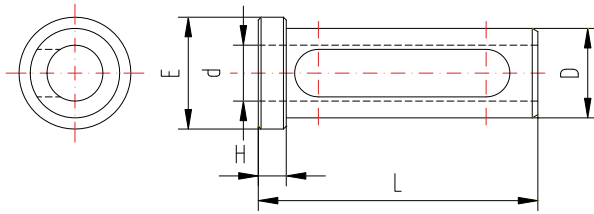
Five different types of bushes are available:

- > Cylindrical bushes to be fixed to tool by means of screws
- > Cylindrical slotted bushes to be directly fastened to tool
- > Conical bushes
- > Bushes with flow of cooling liquid
- > Elastic bushes
- > Elastic bushes for vibration damper bar

We manufacture each type of bush in different sizes, in order to offer a complete range capable of meeting every need.

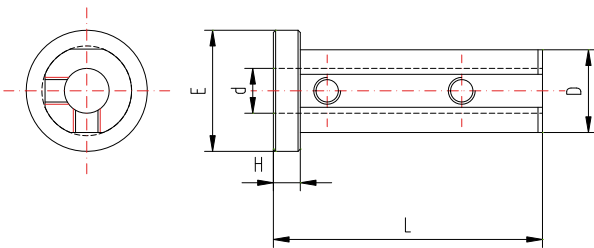
Cylindrical bushes

D=16 mm.

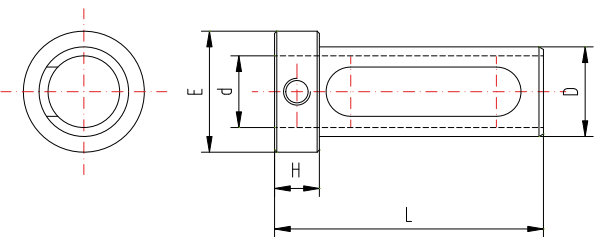


ARTICOLO-ITEM	D h7	d H8	L	H	E
B-16-6-50	16	6	50	5	20
B-16-8-50	16	8	50	5	20
B-16-10-50	16	10	50	5	20
B-16-12-50	16	12	50	5	20

D=19,5 mm. (3/4")

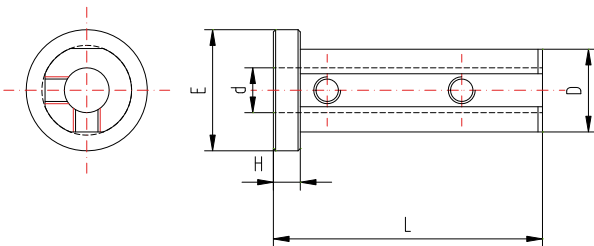


ARTICOLO-ITEM	D h7	d H8	L	H	E
B19,05-6-60	19,05	6	60	6	27
B19,05-8-60	19,05	8	60	6	27

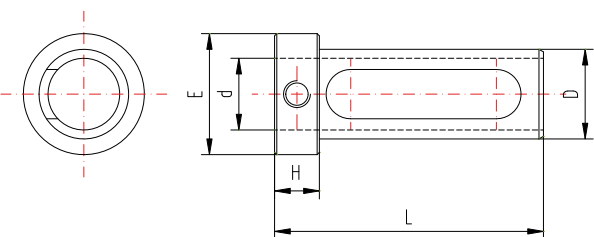


ARTICOLO-ITEM	D h7	d H8	L	H	E
B19,05-10-60	19,05	10	60	6	27
B19,05-12-60	19,05	12	60	10	27
B19,05-14-60	19,05	14	60	10	27
B19,05-16-60	19,05	16	60	10	27

D=20 mm.

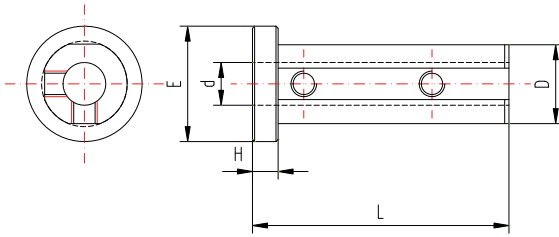


ARTICOLO-ITEM	D h7	d H8	L	H	E
B20-6-60	20	6	60	6	27
B20-8-60	20	8	60	6	27
B20-10-60	20	10	60	6	27

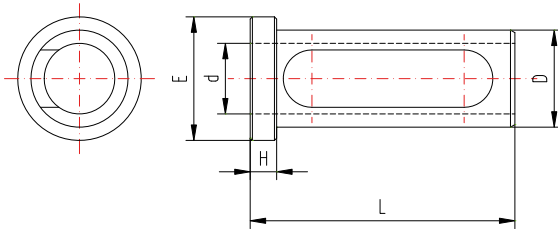


ARTICOLO-ITEM	D h7	d H8	L	H	E
B20-12-60	20	12	60	10	27
B20-14-60	20	14	60	10	27
B20-16-60	20	16	60	10	27

D=22 mm.

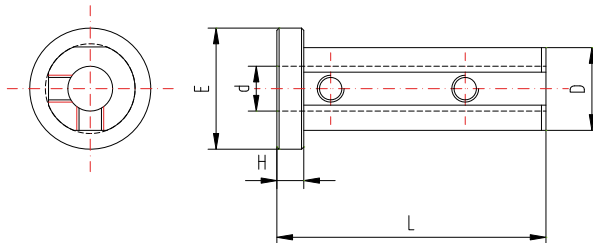


ARTICOLO-ITEM	D h7	d H8	L	H	E
B22-6-60	22	6	60	6	28
B22-8-60	22	8	60	6	28
B22-10-60	22	10	60	6	28

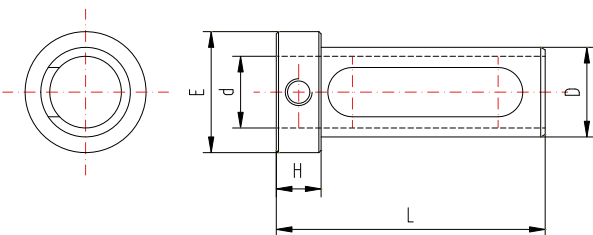


ARTICOLO-ITEM	D h7	d H8	L	H	E
B22-12-60	22	12	60	6	28
B22-14-60	22	14	60	6	28
B22-16-60	22	16	60	6	28

D=25 mm.

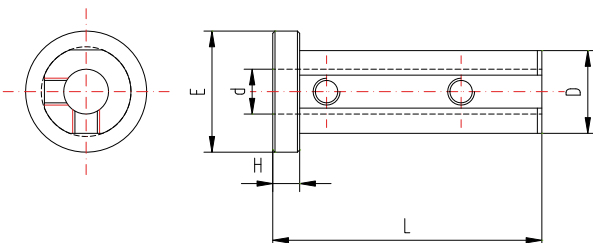


ARTICOLO-ITEM	D h7	d H8	L	H	E
B25-6-60	25	6	60	6	33
B25-8-60	25	8	60	6	33
B25-10-60	25	10	60	6	33
B25-12-60	25	12	60	6	33

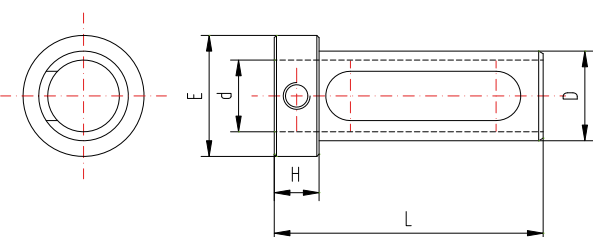


ARTICOLO-ITEM	D h7	d H8	L	H	E
B25-14-70	25	14	70	13	33
B25-16-70	25	16	70	13	33
B25-18-70	25	18	70	13	33
B25-20-70	25	20	70	13	33

D=25,40 mm. (1")

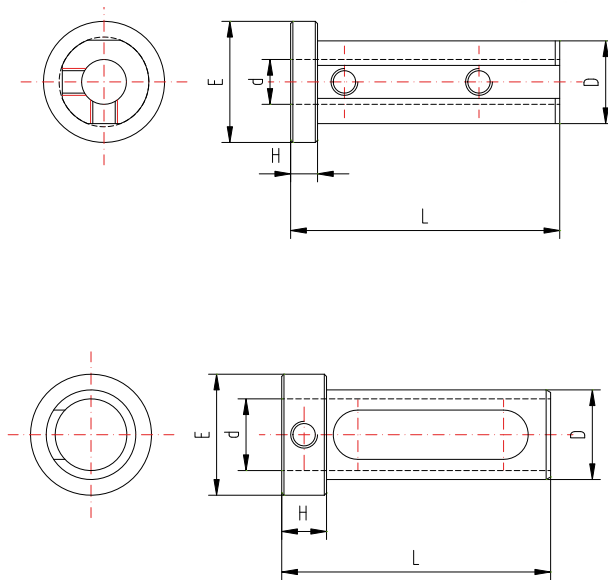


ARTICOLO-ITEM	D h7	d H8	L	H	E
B25,40-6-60	25,40	6	60	6	33
B25,40-8-60	25,40	8	60	6	33
B25,40-10-60	25,40	10	60	6	33
B25,40-12-60	25,40	12	60	6	33



ARTICOLO-ITEM	D h7	d H8	L	H	E
B25,40-12-70	25,40	12	70	13	33
B25,40-14-70	25,40	14	70	13	33
B25,40-16-70	25,40	16	70	13	33
B25,40-18-70	25,40	18	70	13	33
B25,40-20-70	25,40	20	70	13	33

D=31,75 mm. (1"1/4)

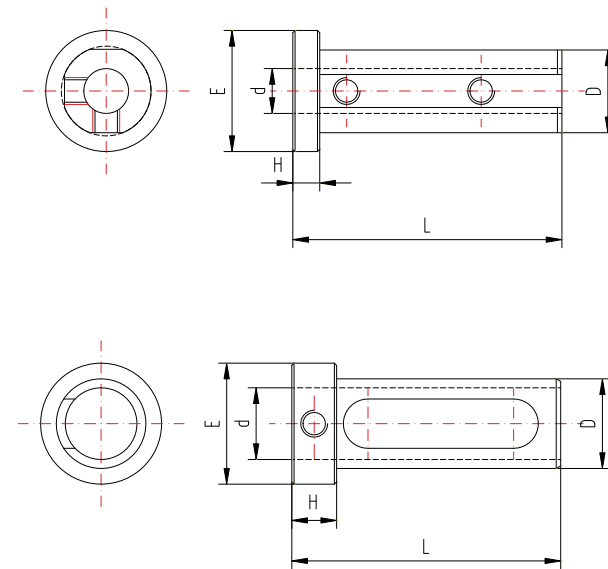


ARTICOLO-ITEM	D h7	d H8	L	H	E
B31,75-6-60	31,75	6	60	6	39

ARTICOLO-ITEM	D h7	d H7	L	H	E
B31,75-8-70	31,75	8	70	8	39
B31,75-10-70	31,75	10	70	8	39
B31,75-12-70	31,75	12	70	8	39
B31,75-14-70	31,75	14	70	8	39
B31,75-16-70	31,75	16	70	8	39
B31,75-18-70	31,75	18	70	8	39
B31,75-20-70	31,75	20	70	8	39

ARTICOLO-ITEM	D h7	d H7	L	H	E
B31,75-25-80	31,75	25	80	15	39

D=32 mm.

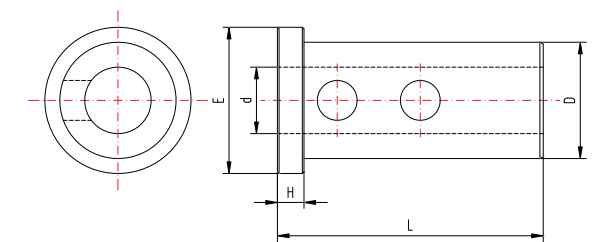


ARTICOLO-ITEM	D h7	d H8	L	H	E
B32-6-60	32	6	60	6	39

ARTICOLO-ITEM	D h7	d H8	L	H	E
B32-8-70	32	8	70	8	39
B32-10-70	32	10	70	8	39
B32-12-70	32	12	70	8	39
B32-14-70	32	14	70	8	39
B32-16-70	32	16	70	8	39
B32-18-70	32	18	70	8	39
B32-20-70	32	20	70	8	39

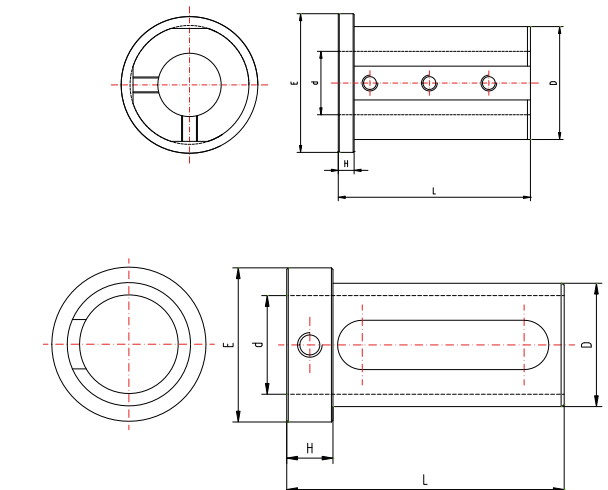
ARTICOLO-ITEM	D h7	d H7	L	H	E
B32-25-80	32	25	80	15	39

D=35 mm.



ARTICOLO-ITEM	D h7	d H8	L	H	E
B35-8-80	35	8	80	8	44
B35-10-80	35	10	80	8	44
B35-12-80	35	12	80	8	44
B35-16-80	35	16	80	8	44
B35-20-80	35	20	80	8	44
B35-25-80	35	25	80	8	44
B35-32-80	35	32	80	8	44

D=40 mm.

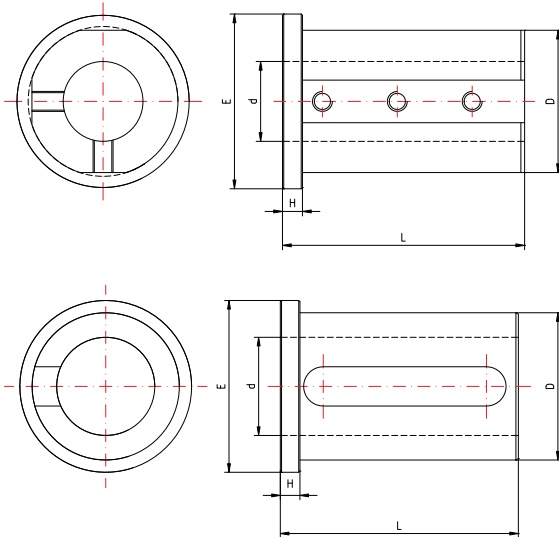


ARTICOLO-ITEM	D h7	d H8	L	H	E
B40-6-60	40	6	60	6	49

ARTICOLO-ITEM	D h7	d H8	L	H	E
B40-8-80	40	8	80	8	49
B40-10-80	40	10	80	8	49
B40-12-80	40	12	80	8	49
B40-14-80	40	14	80	8	49
B40-16-80	40	16	80	8	49
B40-18-80	40	18	80	8	49
B40-20-80	40	20	80	8	49
B40-25-80	40	25	80	8	49

ARTICOLO-ITEM	D h7	d H7	L	H	E
B40-32-90	40	32	90	15	49

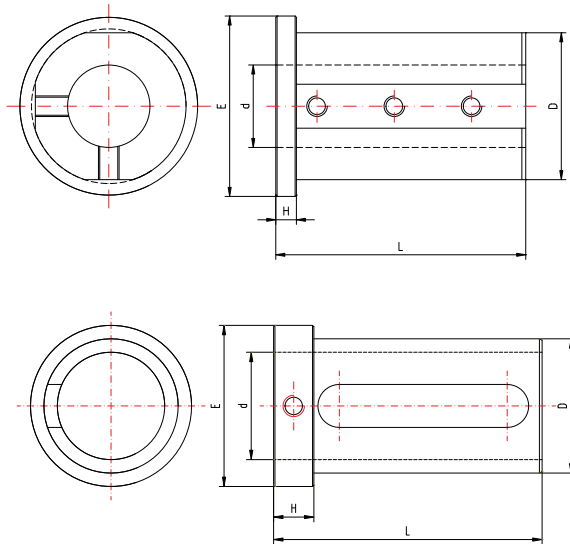
D=45 mm.



ARTICOLO-ITEM	D h7	d H8	L	H	E
B45-8-80	45	8	80	8	54
B45-10-80	45	10	80	8	54
B45-12-80	45	12	80	8	54
B45-16-80	45	16	80	8	54
B45-20-80	45	20	80	8	54
B45-25-80	45	25	80	8	54

ARTICOLO-ITEM	D h7	d H7	L	H	E
B45-32-80	45	32	80	8	54
B45-40-80	45	40	80	8	54

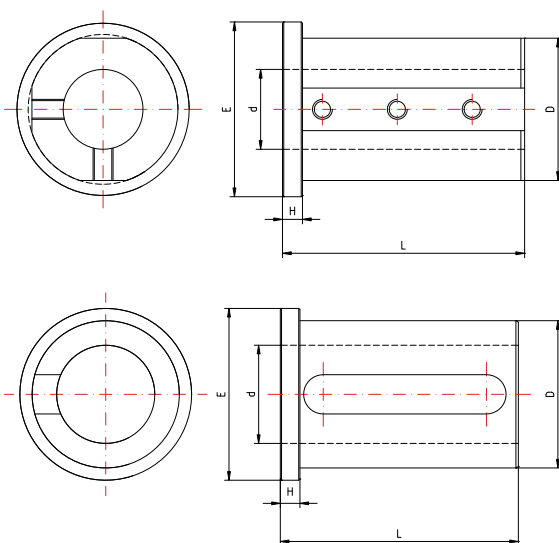
D=50 mm.



ARTICOLO-ITEM	D h7	d H8	L	H	E
B50-8-90	50	8	90	8	59
B50-10-90	50	10	90	8	59
B50-12-90	50	12	90	8	59
B50-14-90	50	14	90	8	59
B50-16-90	50	16	90	8	59
B50-18-90	50	18	90	8	59
B50-20-90	50	20	90	8	59
B50-25-90	50	25	90	8	59
B50-32-90	50	32	90	8	59

ARTICOLO-ITEM	D h7	d H7	L	H	E
B50-40-100	50	40	100	15	59

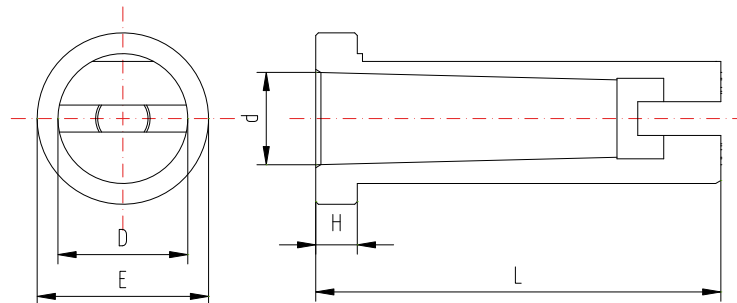
D=60 mm.



ARTICOLO-ITEM	D h7	d H8	L	H	E
B60-12-97	60	12	97	8	69
B60-16-97	60	16	97	8	69
B60-20-97	60	20	97	8	69
B60-25-97	60	25	97	8	69
B60-32-97	60	32	97	8	69

ARTICOLO-ITEM	D h7	d H7	L	H	E
B60-40-97	60	40	97	15	69
B60-50-97	60	50	97	15	69

Conical bushes



D=25 mm.

ARTICOLO-ITEM	D h7	CM	L	H	E
BC25-1-65	25	1	65	6	33
BC25-2-78	25	2	78	8	33

D=25,40 mm. (1")

ARTICOLO-ITEM	D h7	CM	L	H	E
BC25,40-1-65	25,40	1	65	6	33
BC25,40-2-78	25,40	2	78	8	33

D=31,75 mm. (1 1/4")

ARTICOLO-ITEM	D h7	CM	L	H	E
BC31,75-1-65	31,75	1	65	6	39
BC31,75-2-78	31,75	2	78	8	39
BC31,75-3-97	31,75	3	97	8	39

D=32 mm.

ARTICOLO-ITEM	D h7	CM	L	H	E
BC32-1-65	32	1	65	6	39
BC32-2-78	32	2	78	8	39
BC32-3-97	32	3	97	8	39

D=35 mm.

ARTICOLO-ITEM	D h7	CM	L	H	E
BC35-1-65	35	1	65	6	44
BC35-2-78	35	2	78	8	44
BC35-3-97	35	3	97	8	44

D=40 mm.

ARTICOLO-ITEM	D h7	CM	L	H	E
BC40-1-65	40	1	65	6	49
BC40-2-78	40	2	78	8	49
BC40-3-97	40	3	97	8	49
BC40-4-120	40	4	120	8	49

D=45 mm.

ARTICOLO-ITEM	D h7	CM	L	H	E
BC45-2-78	45	2	78	8	54
BC45-3-97	45	3	97	8	54
BC45-4-120	45	4	120	8	54

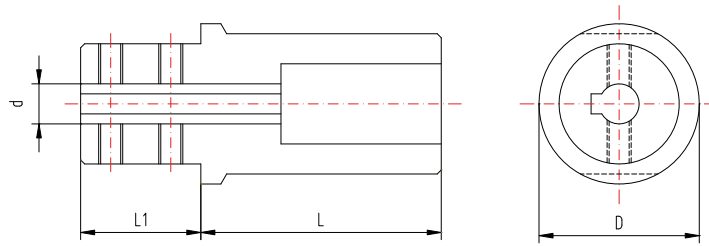
D=50 mm.

ARTICOLO-ITEM	D h7	CM	L	H	E
BC50-2-78	50	2	78	8	59
BC50-3-97	50	3	97	8	59
BC50-4-120	50	4	120	8	59

D=60 mm.

ARTICOLO-ITEM	D h7	CM	L	H	E
BC60-2-78	60	2	78	8	69
BC60-3-97	60	3	97	8	69
BC60-4-120	60	4	120	8	69
BC60-5-155	60	5	155	8	69

Bushes with through Coolant



D=25 mm.

ARTICOLO-ITEM	D h7	d H8	L	L1
BL 25-6	25	6	65	30
BL 25-8	25	8	65	30
BL 25-10	25	10	65	30
BL 25-12	25	12	65	30
BL 25-16	25	16	65	30

D=32 mm.

ARTICOLO-ITEM	D h7	d H8	L	L1
BL 32-6	32	6	65	30
BL 32-8	32	8	65	30
BL 32-10	32	10	65	30
BL 32-12	32	12	65	30
BL 32-14	32	14	65	30
BL 32-16	32	16	65	30
BL 32-18	32	18	65	30
BL 32-20	32	20	65	30

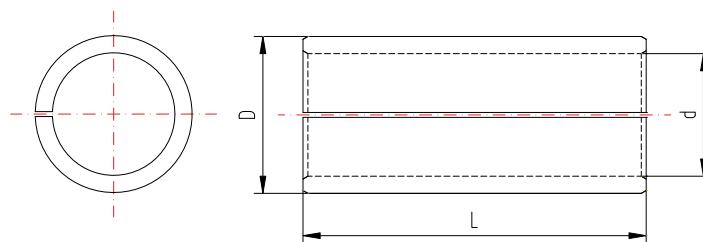
D=40 mm.

ARTICOLO-ITEM	D h7	d H8	L	L1
BL 40-6	40	6	65	30
BL 40-8	40	8	65	30
BL 40-10	40	10	65	30
BL 40-12	40	12	65	30
BL 40-14	40	14	65	30
BL 40-16	40	16	65	30
BL 40-18	40	18	65	30
BL 40-20	40	20	65	30
BL 40-25	40	25	65	30

D=50 mm.

ARTICOLO-ITEM	D h7	d H8	L	L1
BL 50-12	50	12	65	30
BL 50-14	50	14	65	30
BL 50-16	50	16	65	30
BL 50-18	50	18	65	30
BL 50-20	50	20	65	30
BL 50-25	50	25	65	30
BL 50-32	50	32	65	30

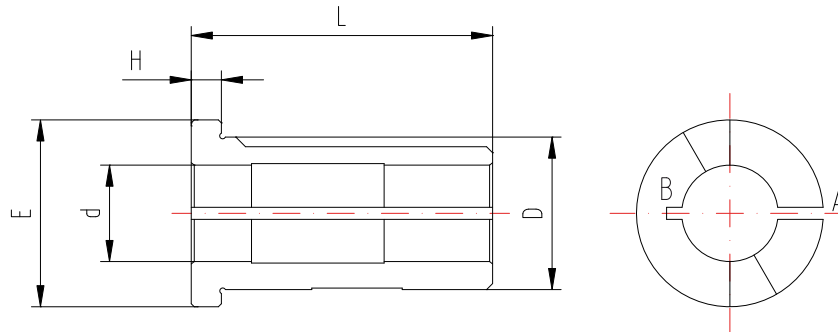
Elastic bushes



ARTICOLO-ITEM	D h7	d H7	L
BE-16-12-40	16	12	40
BE-20-16-50	20	16	50
BE-25-20-60	25	20	60
BE-32-25-70	32	25	70
BE-40-32-80	40	32	80
BE-50-40-90	50	40	90

Elastic bushes for vibration damper bars

This kind of bush has been developed to eliminate every vibration caused by the tool during the machining. "A" and "B" slots are filled with a special rubber in order to dampen the vibrations the tool creates when it works in deep holes.



D=25 mm.

ARTICOLO-ITEM	D h6	d H7	L	H	E
BG 25-8-50	25	8	50	5	31
BG 25-10-50	25	10	50	5	31
BG 25-12-50	25	12	50	5	31
BG 25-16-50	25	16	50	5	31
BG 25-20-50	25	20	50	5	31

D=32 mm.

ARTICOLO-ITEM	D h6	d H7	L	H	E
BG 32-8-60	32	8	60	5	39
BG 32-10-60	32	10	60	5	39
BG 32-12-60	32	12	60	5	39
BG 32-16-60	32	16	60	5	39
BG 32-20-60	32	20	60	5	39
BG 32-25-60	32	25	60	5	39

D=40 mm.

ARTICOLO-ITEM	D h6	d H7	L	H	E
BG 40-8-75	40	8	75	5	48
BG 40-10-75	40	10	75	5	48
BG 40-12-75	40	12	75	5	48
BG 40-16-75	40	16	75	5	48
BG 40-20-75	40	20	75	5	48
BG 40-25-75	40	25	75	5	48
BG 40-32-75	40	32	75	5	48

Special bushes

If you are interested in special bushes, not included in this Catalogue, please fill this page in and send it to us: we shall do our best to provide you with prompt efficient service.

Technical drawing for ordering special bushes

BRIGHETTI MECCANICA S.r.L.

Tel./Phone: 0039 51 728168

Fax: 0039 51 6463514

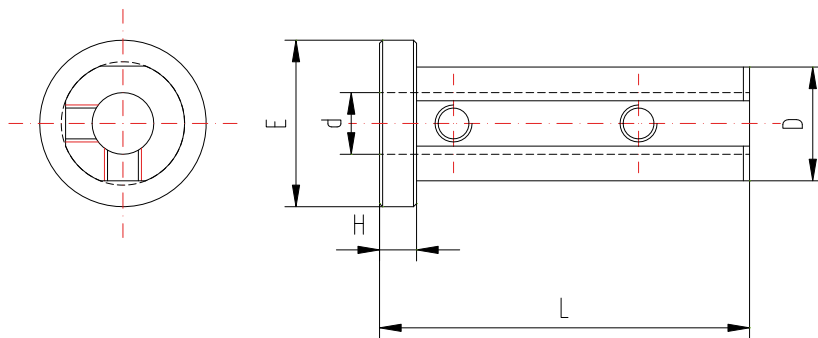
E-mail: info@brighetti.it

Società/Company: _____

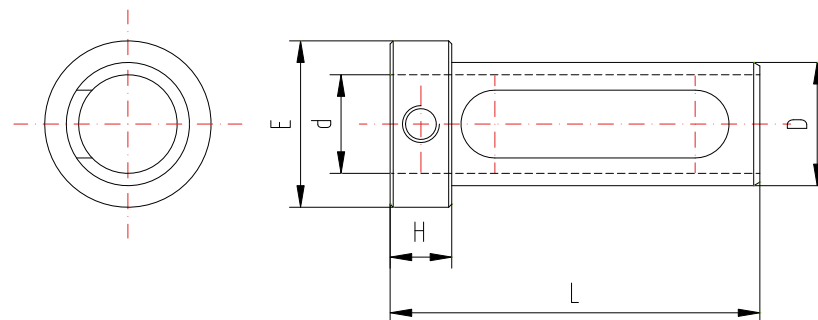
Indirizzo/Address: _____

Tel/Phone: _____ Fax: _____ E-mail: _____

Q.tà/Q.ty: _____



D	d	L	H	E



D	d	L	H	E