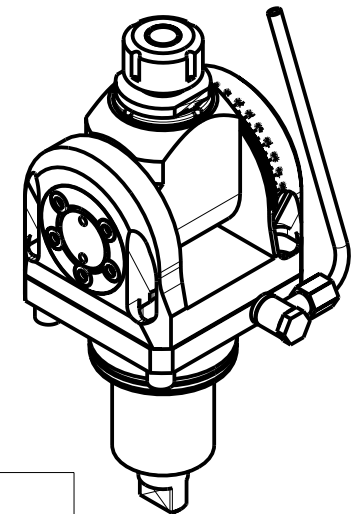


ATTENZIONE - ATTENTION - ACHTUNG

- VERIFICARE LE MISURE DI INGOMBRO PER POSSIBILE INTERFERENZA SU ALCUNI MODELLI DI MACCHINE
- Please check the overall sizes for possible interferences on some machine models
- Bitte überprüfen sie das ausmass um mögliche interferenzen auf einigen maschinen modellen zu vermeiden



| Cod. MT | Mandrino Spindle Spindel | I | RPM | Coppia Max Max Torque Max Drehmoment | Reversibile lato mandrino/contromandrino Reversible sub/main spindle side Umkehrbare Spindelseite/ Gegenspindelseite | Lubrificazione est. Ext. coolant Aussehenkuehlung | A | A1 | D | L | CHIAVI INCLUSE Keys included Schlüssel inbegriffen | | |
|-------------|--------------------------------|-----|------|--|---|---|-------|----|------|------|--|--------|---------|
| | | | | | | | | | | | CH_VTCROCE_M08 | CHUB36 | CHESL10 |
| DW 01920120 | ER20 | 1:1 | 6000 | 40Nm | X | X | 85.16 | - | - | - | CHSTER20 | CHUB36 | CHESL10 |
| DW 01920125 | ER25 | 1:1 | 6000 | 40Nm | X | X | 86.16 | - | - | - | CHSTER25 | CHUB36 | CHESL10 |
| DW 01920516 | Ø16x17 | 1:1 | 6000 | 40Nm | X | X | - | 65 | 16 | 17 | CH_VTCROCE_M08 | CHUB36 | CHESL10 |
| DW 01920522 | Ø22x19 | 1:1 | 6000 | 40Nm | X | X | - | 66 | 22 | 19 | CH_VTCROCE_M10 | CHUB36 | CHESL10 |
| DW 01920519 | Ø3/4"x3/4" | 1:1 | 6000 | 40Nm | X | X | - | 65 | 3/4" | 3/4" | CH_VTCROCE_M08 | CHUB36 | CHESL10 |

SMART

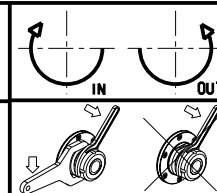
MOD: NL2500/3000 M/BM/Y/SY

MODULO MOTORIZZATO ORIENTABILE ±90° H=54mm

±90° adjustable angle driven tool H=54mm

Angetriebenes Werkzeug schwenkbar ±90° H=54mm

Subject to change without notice.



M.T. srl

Via Casino Albini 480
Tel. 0541/956034-957884
Fax 0541/956341
47842 S. GIOVANNI IN M. (RN)
e-mail: mtma@mtmarchetti.com
http://www.mtmarchetti.com



SMA333-2-00