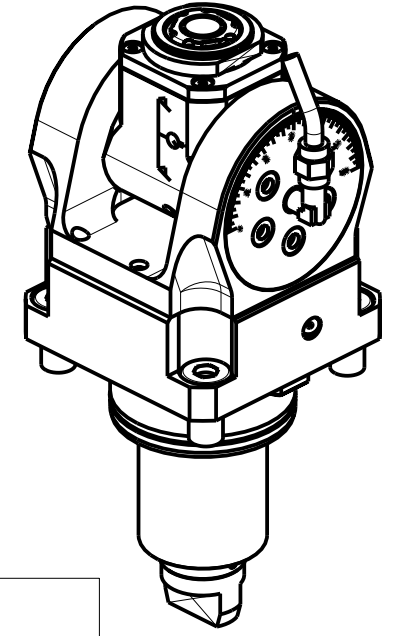


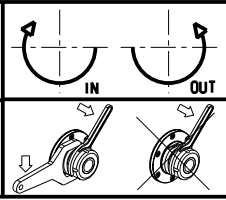
ATTENZIONE - ATTENTION - ACHTUNG

- Per lo smontaggio degli utensili utilizzare sempre la chiave di contrasto come indicato nel manuale d'uso.
- For disassembly of the tools use always the contrast key as mentioned in the user instructions.
- Fuer das Abmontieren der Werkzeuge immer den Gegenschlüssel benutzen wie in der Bedienungsanleitung erwaeht.

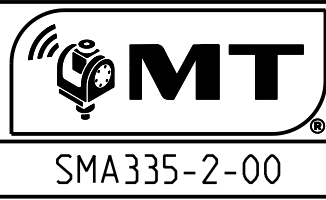


| Cod. MT | Mandrino Spindle Spindel | I | RPM | Coppia Max Max Torque Max Drehmoment | Reversibile lato mandrino/contromandrino Reversible sub/main spindle side Umkehrbare Spindel-seite/ Gegenspindel-seite | Lubrificazione int. Coolant through Innenkuehlung | Lubrificazione est. Ext. coolant Aussenkuehlung | CHIAVI INCLUSE Keys included Schluessel inbegriffen | | | |
|------------|--------------------------|-----|------|--------------------------------------|--|---|---|---|--------|------------|---------|
| | | | | | | | | CHUB36 | CHUB22 | CHTAER20ZC | CHESL08 |
| DW01940120 | ERA20 | 1:1 | 6000 | 30Nm | X | - | X | CHUB36 | CHUB22 | CHTAER20ZC | CHESL08 |
| DW01940220 | ERA20 | 1:1 | 6000 | 30Nm | X | P=70bar | X | CHUB36 | CHUB22 | CHTAER20ZC | CHESL08 |

SMART
 MOD: NL2500/3000 M/BM/Y/SY
 MODULO MOTORIZZATO ORIENTABILE ±90° H=72mm
 ±90° adjustable angle driven tool H=72mm
 Angetriebenes Werkzeug schwenkbar ±90° H=72mm



M.T. srl
 Via Casino Albini 480
 Tel. 0541/956034-957884
 Fax 0541/956341
 47842 S. GIOVANNI IN M. (RN)
 e-mail: mtma@mtmarchetti.com
 http://www.mtmarchetti.com



Subject to change without notice.