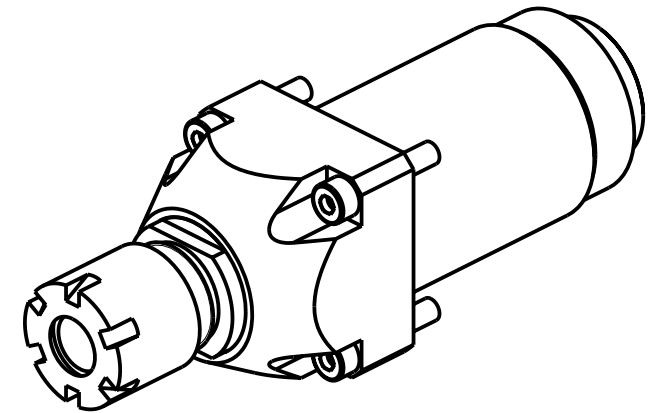
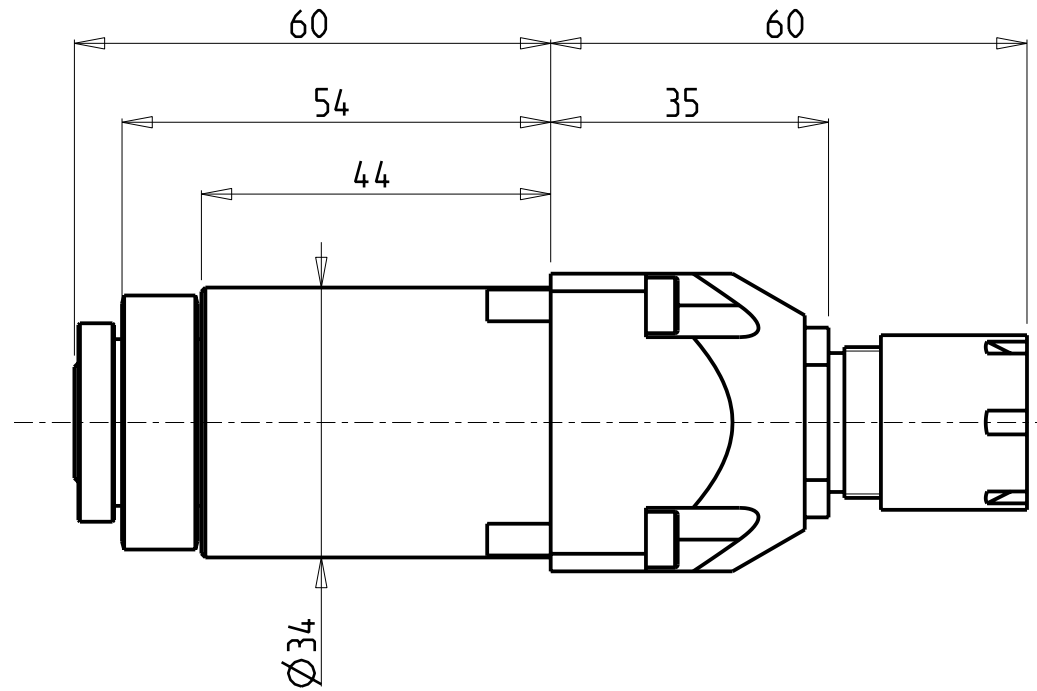
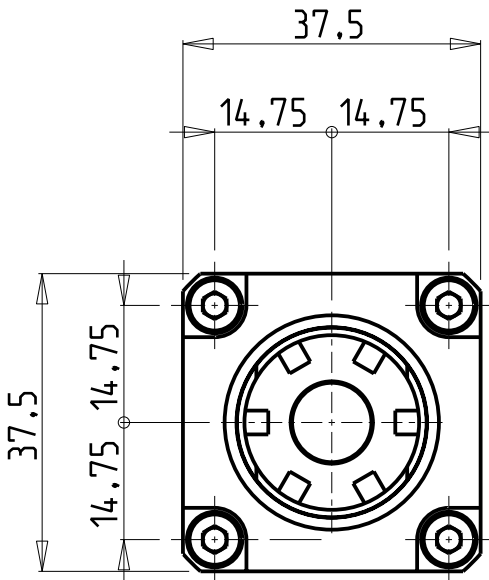


**ATTENZIONE - ATTENTION - ACHTUNG**

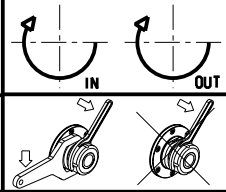
- Per lo smontaggio degli utensili utilizzare sempre la chiave di contrasto come indicato nel manuale d'uso.
- For disassembly of the tools use always the contrast key as mentioned in the user instructions.
- Fuer das Abmontieren der Werkzeuge immer den Gegenschlüssel benutzen wie in der Bedienungsanleitung erwaeht.



Cod. MT	Mandrino Spindle Spindel	I	RPM	Lubr.esterna Ext. coolant Aussenkuehlung	CHIAVI NON INCLUSE Keys not included Schluessel nicht einbegriffen	
STR0040116	ER16	1:1	8000	X	CHMNER16	CHUB19_SP3

STAR  
 MOD: ECAS12/20 - ECAS32T - SB12/16/20 - SR16/20 - SR20RIV - SR20/32J11B - SR32J/JN - SV12/20 - SV32 - SV32J11 - SV38R - SW 20

MODULO MOTORIZZATO ASSIALE  
 Axial driven tool  
 Axial angetriebenes Werkzeug



**M.T. srl**  
 Via Casino Albini 480  
 Tel. 0541/956034-957884  
 Fax 0541/956341  
 47842 S. GIOVANNI IN M. (RN)  
 e-mail: mtma@mtmarchetti.com  
 http://www.mtmarchetti.com



STR010-2-00

Subject to change without notice.