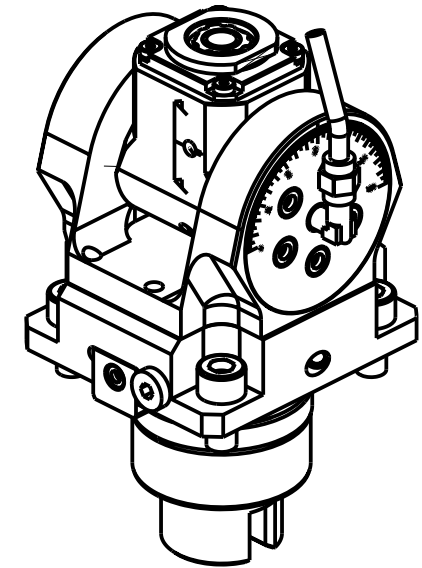


ATTENZIONE - ATTENTION - ACHTUNG

- Per lo smontaggio degli utensili utilizzare sempre la chiave di contrasto come indicato nel manuale d'uso.
- For disassembly of the tools use always the contrast key as mentioned in the user instructions.
- Fuer das Abmontieren der Werkzeuge immer den Gegenschlüssel benutzen wie in der Bedienungsanleitung erwaeht.

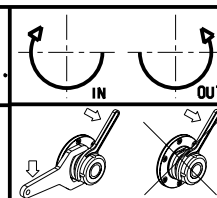


Cod. MT	Mandrino Spindle Spindel	I	RPM	Coppia Max Max Torque Max Drehmoment	Reversibile lato mandrino/contromandrino Reversible sub/main spindle side Umkehrbare Spindel-seite/ Gegenspindel-seite	Lubrificazione int. Coolant through Innenkuehlung	Lubrificazione est. Ext. coolant Aussenkuehlung	CHIAVI INCLUDE Keys included Schluessel inbegriffen			
								CHUB19_SP3	CHUB32	CHTAER16ZC	CHESL08
TKW 0930316	ERA16	1:2	12000	8Nm	X	-	X	CHUB19_SP3	CHUB32	CHTAER16ZC	CHESL08
TKW 0930416	ERA16	1:2	12000	8Nm	X	P=70bar	X	CHUB19_SP3	CHUB32	CHTAER16ZC	CHESL08

TAKISAWA

MOD: EX308/310/508/510/708/710/910 - TC350MC - TT350 MC - NEX108/110/908/910 - LA200/250/300 M/Y - LA250YS 15ST.
FX-800 - MX-800 - VTL450M - EX2000M/Y - LX2500/3000M/Y - NX-2000 M/MS/Y/YS 12ST.

MODULO MOTORIZZATO ORIENTABILE ±90° MOLTIPLICATO I=1:2 H=65mm
±90° adjustable angle driven tool geared-up I=1:2 H=65mm
Angetriebenes Werkzeug schwenkbar ±90° uebersetzt I=1:2 H=65mm



M.T. srl

Via Casino Albini 480
Tel. 0541/956034-957884
Fax 0541/956341
47842 S. GIOVANNI IN M. (RN)
e-mail: mtma@mtmarchetti.com
http://www.mtmarchetti.com



TKW 336-2-00

Subject to change without notice.

09/2024